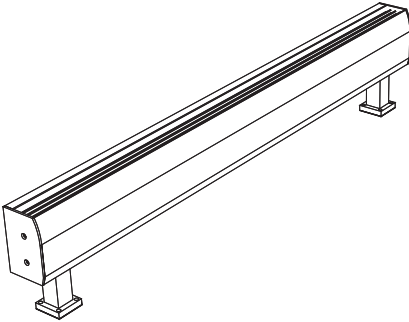


BDBSL
Slim Line Draft Barrier
Convection Heaters



Dimensions



Type	Height	Width	Length
BDBSL	4" 152mm	2-5/8" 69mm	24" to 12' 610mm to 3658mm

Installation, Operation & Maintenance Instructions

GENERAL

This heater is designed to provide years of efficient, trouble free operation as a primary or supplemental heat source for comfort heating in residential and commercial applications. Installation or use of this product in any manner not described within this manual will void the warranty and could result in injury, damage to property, or permanent damage to heater.

IMPORTANT INSTRUCTIONS

WARNING

WHEN USING ELECTRICAL APPLIANCES, BASIC PRECAUTIONS SHOULD ALWAYS BE FOLLOWED TO REDUCE THE RISK OF FIRE, ELECTRIC SHOCK, AND INJURY TO PERSONS, INCLUDING THE FOLLOWING:

1. Read all instructions before installing or using the heater.
2. A heater has hot and arcing or sparking parts inside. Do not use in areas where gasoline or flammable liquids are used or stored.
3. This heater is hot when in use. To avoid burns, do not let bare skin touch hot surfaces. Keep combustible materials, such as furniture, pillows, bedding, papers, clothes, and curtains away from heater.
4. To prevent a possible fire, do not block air intakes or exhaust in any manner.
5. Do not insert or allow foreign objects to enter any ventilation or exhaust opening as this may cause an electric shock or fire, or damage the heater.
6. Serious injury or death could result from electric shock. Make sure electrical power supply circuit coming to heater is disconnected at main disconnect or service panel before installing or servicing this heater.
7. BDBSL model with 188 watts per linear foot or less, without wire mesh, are ETL listed for residential use.
8. BDBSL model at 188 watts per linear foot must be mounted above finished floor with a clearance of 2 inches.

SAVE THESE INSTRUCTIONS

Table A - BDBSL (Technical Data)

Catalog Number	Length "L"	Watts per ft.	Total Watts	Amperage					
				120V	208V	240V	277V	347V	600V
22100		100	200	--	1.0	--	--	--	--
22150	24"	150	300	2.5	1.4	1.3	--	--	--
22188	(610mm)	188	376	3.1	1.8	1.6	1.4	--	--
02100		100	200	1.7	1.0	0.8	--	--	--
02125	28"	125	250	2.1	1.2	1.0	0.9	--	--
02150	(711mm)	150	300	2.5	1.4	1.3	1.1	--	--
02188		188	376	3.1	1.8	1.6	1.4	--	--
03100		100	300	2.5	1.4	1.3	1.1	--	--
03125	3'	125	375	3.1	1.8	1.6	1.4	1.1	--
03150	(914mm)	150	450	3.8	2.2	1.9	1.6	1.3	--
03188		188	564	4.7	2.7	2.4	2.0	1.6	--
04100		100	400	3.3	1.9	1.7	1.4	1.2	--
04125	4'	125	500	4.2	2.4	2.1	1.8	1.4	--
04150	(1219mm)	150	600	5.0	2.9	2.5	2.2	1.7	--
04188		188	752	6.3	3.6	3.1	2.7	2.2	1.3
05100		100	500	4.2	2.4	2.1	1.8	1.4	0.8
05125	5'	125	625	5.2	3.0	2.6	2.3	1.8	1.0
05150	(1524mm)	150	750	6.3	3.6	3.1	2.7	2.2	1.3
05188		188	940	7.8	4.5	3.9	3.4	2.7	1.6
06100		100	600	5.0	2.9	2.5	2.2	1.7	1.0
06125	6'	125	750	6.3	3.6	3.1	2.7	2.2	1.3
06150	(1829mm)	150	900	7.5	4.3	3.8	3.2	2.6	1.5
06188		188	1128	9.4	5.4	4.7	4.1	3.3	1.9
07100		100	700	--	3.4	2.9	2.5	2.0	1.2
07125	7'	125	875	--	4.2	3.6	3.2	2.5	1.5
07150	(2134mm)	150	1050	--	5.0	4.4	3.8	3.0	1.8
07188		188	1316	--	6.3	5.5	4.8	3.8	2.2
08100		100	800	--	3.8	3.3	2.9	2.3	1.3
08125	8'	125	1000	--	4.8	4.2	3.6	2.9	1.7
08150	(2438mm)	150	1200	--	5.8	5.0	4.3	3.5	2.0
08188		188	1504	--	7.2	6.3	5.4	4.3	2.5
09100		100	900	--	4.3	3.8	3.2	2.6	1.5
09125	9'	125	1125	--	5.4	4.7	4.1	3.2	1.9
09150	(2743mm)	150	1350	--	6.5	5.6	4.9	3.9	2.3
09188		188	1692	--	8.1	7.1	6.1	4.9	2.8
10100		100	1000	--	4.8	4.2	3.6	2.9	1.7
10125	10'	125	1250	--	6.0	5.2	4.5	3.6	2.1
10150	(3048mm)	150	1500	--	7.2	6.3	5.4	4.3	2.5
10188		188	1880	--	9.0	7.8	6.8	5.4	3.1

Clearance Chart:

For safe and efficient operation, maintain at least the following minimum clearances at all times(see Fig. 1):

Bottom of Heater to Finished Floor:

- For models 188 watts per foot or more, bottom of units must be mounted at least 2" off floor.

• Bottom Inlet Models:

- 100-188 watts per foot – 2 inch (51 mm)

Top of Heater to Ceiling (all models):

- Minimum 36 inches (914 mm)

Top of Heater to Bottom of Drapes (See Example 2):

- Minimum 6 inches (152 mm)

IMPORTANT NOTE: Certain fabrics and vinyl materials (such as vinyl blinds) may become damaged by the heated air from the heater and should not be installed above the heater.

Front of Heater to Full Length Drapes (See Example 1):

- Minimum between bottom of drapes and floor – 2-1/2 inches (64 mm)

- Minimum between top of drapes and ceiling – 1/2 inch (13 mm)

- Minimum between front of heater and nearest fold of drape – 2 inches (51 mm)

Top of Heater to Bottom of Window Sill:

- Minimum 12 inches (305 mm)

Table B. Sizing Field Installed Wiring

Copper wire size 90° C	Max. No. wire installed in wireway	Maximum Allowable Current		
		Up to 2 conductors	3 to 4 conductors	4 to 5 conductors
No. 12 AWG	5	7 Amps	5 Amps	4.5 Amps
No. 10 AWG	4	9 Amps	7 Amps	6 Amps
No. 8 AWG	2	12.0 Amps	10 Amps	-

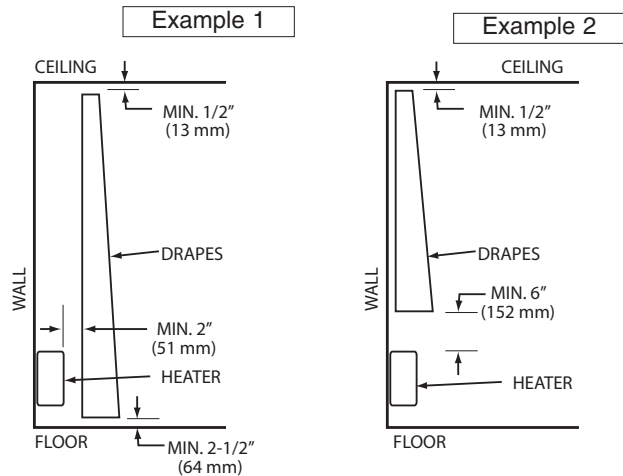


Fig. 1: Clearance for Drapery

INSTALLATION INSTRUCTIONS

⚠ WARNING ⚠

TO REDUCE THE RISK OF FIRE AND ELECTRIC SHOCK OR INJURY TO PERSONS, OBSERVE THE FOLLOWING:

1. Serious injury or death could result from electric shock. Make sure electrical power supply circuit coming to heater are disconnected at main disconnect or service panel before installing this heater.
2. Wiring procedures and connections must be in accordance with the National Electrical Code (NEC) and local codes. Refer to Wiring Diagram on heater and Figure 8. Make sure all electrical connections are tight to prevent possible overheating. Use Copper Supply Wire Only.
3. Verify the electrical power supply voltage matches the voltage rating as printed on the heater nameplate.

CAUTION - Never connect a heater to a voltage greater than the nameplate voltage as this will damage the heater and could cause a fire.

4. Do not install the heater against combustible low-density cellulose fiberboard surfaces, against or below vinyl wall coverings, or below any materials that may be damaged by heat such as vinyl or plastic blinds, curtains, etc.
5. Do not install heater below an electrical convenience receptacle (outlet).
6. **CAUTION** – Heater operates at high temperatures. Keep electrical cords (including telephone and computer cables), drapes, and other furnishings away from heater. For efficient and safe operation, we recommend maintaining a minimum of 6 inches (152 mm) clearance above and in front of the heater at all times. See Clearances Chart for minimum clearance requirements.
7. To reduce the risk of fire, do not store or use gasoline or other flammable vapors or liquids in the vicinity of the heater.
8. Do not install heater upside down or in any position other than as shown in this manual.
9. Do not recess heater in wall or install heater inside any type enclosure as this will cause heater to overheat and could create a hazard.
10. When mounting heater, use care when drilling mounting holes and mounting heater to building structure to avoid damaging internal heater components. Be sure to loosen mounting screws ½ turn to allow for expansion and contraction.
11. Do not remove or bypass the safety limit control(s) (thermal protectors) as this could allow heater to become a fire hazard, see heater wiring diagram supplied with heater.
12. The factory installed wires inside wireway are used to connect the built-in controls. Limit the maximum current to no more than 45 total amp. Refer to instructions and current capacity rating as provided with the accessory.
13. Heaters that are not installed end to end must have end caps installed to cover exposed ends of heater.
14. Do not allow objects to be placed on top of heater as they may be damaged or create a fire hazard.
15. To avoid damaging heater, do not use a screw driver to separate front cover from back housing. Use only a putty knife as shown, see Fig. 2
16. Before energizing, make sure front cover is properly locked onto the back housing along the entire length of the heater, see Fig. 5. Do not operate heater without front cover installed.

Rough in Wire

1. Run branch circuit of proper voltage and wire size to location of left or right junction box as indicated on heater wiring diagram. Basic heaters are prewired and can be connected to branch circuit at either end. Heaters with controls are prewired for connection to branch circuit at one end only (refer to heater wiring diagram). However, heater can be wired from opposite end by running wires through heater wireway. See Fig. 3 for knockout locations.
2. If it is necessary to run wires through the heater wireway, use Table B to size the field installed wiring.
3. The factory installed wires in the heater wireway can be loaded up to 45 amps. Refer to Table C for maximum length of heater run when the heaters are connected in parallel.

Disconnect Switch: 20 amps @ 120-277 VAC

Thermostat: 25 amps @ 120-240 VAC
22 amps @ 277 VAC

Transformer Relay: 25 amps @ 120-240 VAC
22 amps @ 277 VAC
17 amps @ 347 VAC
12 amps @ 600 VAC

Power Relay 25 amps @ 120-277 VAC

Pneumatic/Electric Switch 25 amps @ 120-277 VAC

NOTE: For mix of watt densities, calculate amp draw. Do not exceed 45 amps.

4. Standard 90° C wiring must be used in junction boxes, wireways, blank sections, filler sections and corner sections.

Room Layout

Refer to heating plans for exact room arrangement of heaters (with or without thermostats and/or relays and/or switches and accessories).

Check the heater section dimensions and the additional wall length required for filler sections or blank sections before starting wall-to-wall type installation. Be certain all heaters and accessories needed are at hand and are of correct finish.

Mounting Height (see Clearance Chart)

NOTE: Up to 3/4" thick floor covering, such as carpets, tiles, linoleum, etc., may be installed around and under the heater without adversely affecting the performance of the heaters.

At correct height, draw a pencil line on the wall, level and/or parallel with the window sill. Minimum mount heights above the floor shall be as follows.

Installation of Single Unit

NOTE: For ease of installation, it is important that the sequence of operation indicated below be followed in order. For heaters with more than one heat deck, heat decks may be wired in parallel or each heat deck may be supplied by separate circuit. See heater nameplate for current load for each heat deck.

1. Remove unit from carton and discard external pads and plastic wrap.
2. Remove front cover by laying the heater on its back and inserting a putty knife (or other thin, wide blade tool, 1" [25mm] wide minimum) approximately 6" (152mm) from the end of the heater and prying up as shown in Fig.2. This will spring the snap lock closure open. Repeat as required down the length of the heater until the front cover completely disengages from the heater back.

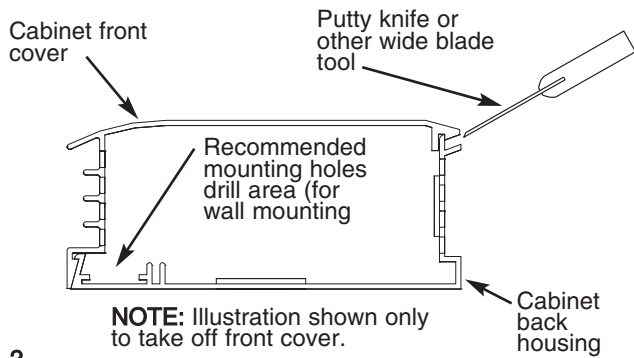


Fig. 2

3. Remove appropriate electrical knockouts from either junction box. See Fig. 3 for location of knockouts. If heater is to be pedestal mounted, consult pedestal kit installation instructions.
4. Drill the required size mounting holes in the heater housing (See Fig. 2 for recommended mounting hole location.)
5. Hold heater housing against the wall to check for evenness of wall. Do not draw heater against an uneven wall surface. If an uneven wall is encountered, use shims to keep the heater housing straight.

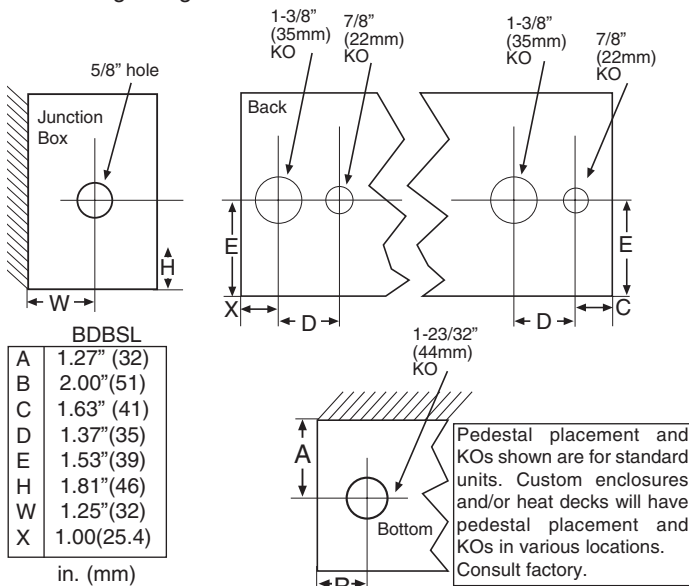


Fig. 3

6. Run proper size branch circuit to the junction box through the selected knockout.
7. Mount the heater on the wall using screws, bolts or anchors (by installer) to suit the wall construction.
8. Tighten mounting screw and back off 1/2 turn to allow for expansion and contraction of the heater.

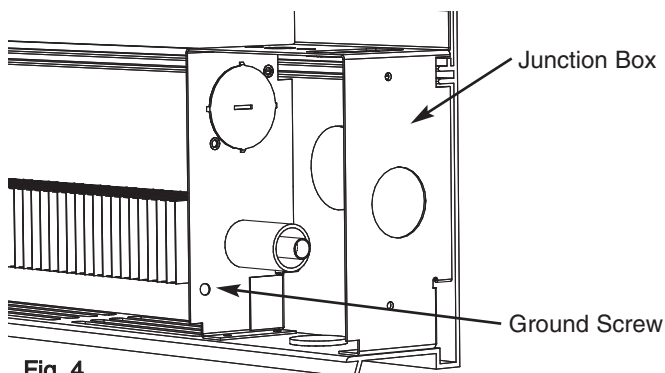


Fig. 4

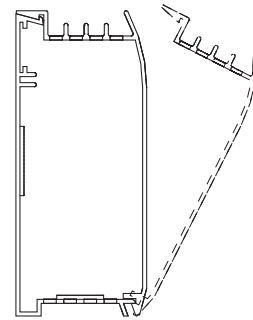


Fig. 5

9. Following the wiring diagram secured to the heater, make electrical connections. Ground the heater using the ground screw provided. See Fig. 4.
10. Replace front cover by latching the bottom front edge of the front cover over the bottom front edge of the back and pushing the cover straight back to latch the top rear edge of the back with the top rear edge of the front cover. See Fig. 5.

Installation of Multiple Wall to Wall Units

NOTE: For ease of installation, it is important that the sequence of operations indicated below be followed in order.

1. Repeat Steps 1 & 2 from Single Unit Installation.
 2. Refer to wiring diagram for power supply entry and remove appropriate electrical knockout (Fig. 3) from the heater in which power supply connections are to be made. The power supply may be brought into the end of one heater and the remaining heaters may be connected in parallel using the wireway. Use Table B to size the field installed wiring in the wireway or use Table A to determine the maximum length or heater run possible using the factory installed wire in the heater wireway.
 3. If filler sections, inside corners, outside corners, splice kits or end caps are to be used, consult convector accessory installation instructions. If units are to be pedestal mounted, consult the convector accessories installation instructions.
- NOTE:** If a heater has a disconnect switch and/or thermostat and is to have a filler section at either end, the filler must not cover the access to those controls.
4. If the run of the heaters includes an inside corner or an outside corner, mount corner to wall (see accessory installation instructions packed with corners), then mount heater.
 5. Drill the required size mounting holes in all the heater housings. (See Fig. 2 for recommended mounting hole location.)
 6. Hold heater housings against wall to check for evenness of the wall. Do not draw the heaters against an uneven wall surface. If an uneven wall is encountered, use shims to keep the heater housing straight.
 7. Run proper size branch circuit to the junction box through the selected knockout.
 8. Mount the heaters on the wall using screws, bolts or anchors (by installer) which suit the wall construction. Alignment tabs can be inserted in adjoining back housings to assure even alignment. See Fig. 6 for details.
 9. Following the wiring diagram secured to the heater, make the electrical connections. Refer to Fig. 8 to connect the other heaters in parallel. Grounding of the other heaters is accomplished by connecting a jumper wire (not supplied) between the two adjacent heaters.
 10. Replace front covers following Step 10 under **Single Unit Installation**, (See Fig. 5.)

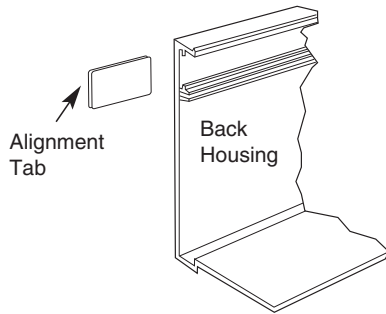


Fig. 6

Blank Sections

Blank sections, if any, are installed in the same manner as the heaters.

OPERATION INSTRUCTIONS

1. After heater(s) are completely assembled and installed, set thermostat or operating controls for NO HEAT and energize the heater circuit (s). Verify the heater(s) are not producing heat.
2. Adjust thermostat or operating control to call for heat. Allow heater(s) to operate for a few minutes and verify all heaters are producing heat.

Note: during initial start up, heaters may exhibit a new smell and possibly some slight smoke from the manufacturing residues on the heating element. Allow heaters to operate for approximately 30 minutes to dissipate these residues. Ventilating the area may be desired.

3. To set thermostat or operating controls to maintain desired comfort level, allow heaters to operate until room ambient temperature reaches the desired level. The thermostat or operating control can then be adjusted to maintain this temperature.

Note: when built-in thermostat and/or disconnect switch is/ or provided, access to these controls will be through grille openings at either end of the heater. To rotate the thermostat shaft will require a small flat blade screw driver. The disconnect switch is a rocker switch that can be operated with the same screw driver or tool through the openings.

4. If built-in thermostat is provided, after room reaches desired comfort level, rotate thermostat shaft counterclockwise until the thermostat clicks. This should allow the thermostat to cycle the heater on and off to maintain this temperature. Rotation in the clockwise direction will allow the heater to remain ON MORE and will maintain a HIGHER room ambient. Likewise, rotation in the counterclockwise direction will result in the heater remaining ON LESS and the room ambient will be LOWER. If remote thermostat or other types of controls are provided, refer to the instructions provided with these controls for proper operation.

IMPORTANT NOTE: These heaters are provided with a built-in safety limit (Thermal Protector— see Fig. 8) to automatically turn off the heater if it is blocked or otherwise overheats due to an abnormal condition. The heaters should not be cycling off on this safety control during normal use. If this is occurring, check heater installation to assure it has adequate clearances and the free airflow around heater is not restricted. If heater continues to cycle on this safety control, discontinue using until it can be inspected and/or repaired by a qualified electrician.

MAINTENANCE INSTRUCTIONS

Your heater will give your years of service and comfort with only minimal care. The user can perform periodic cleaning of the exterior cabinet, but all other interior cleaning and servicing should be done by a qualified service person.

Note: For efficient and safe operation, airflow must not be restricted in and around the heater. As air moves through the heater by convection, dust and lint may accumulate in the heater and around the heating element that needs to be cleaned periodically. It is recommended that your heater be cleaned and inspected for damage at least annually (or more often if needed).

⚠ WARNING ⚠

1. Serious injury or death could result from electric shock. Make sure electrical power supply circuit(s) coming to heater is/are disconnected at main disconnect or service panel before servicing this heater. Allow heater to cool before cleaning to prevent a possible burn.

Note: More than one power source may enter heater. Be sure all power is disconnected to heater before cleaning or servicing.

2. Use care when cleaning element fins to avoid damaging fins. Note also that fins are sharp and may cause cuts so avoid contact.
1. The exterior of the heater may be cleaned with a damp cloth. However, do not use harsh cleaners, polishes, or waxes as these may damage the surface or leave a residue that will discolor.
2. To clean interior of heater will require the removal of the front cover. To remove the front cover, disengage the top rear snap-lock first. Use an "L" shaped tool, such as an Allen Wrench, to lift up under the webs between the back row of slots (See Fig. 7). Start at either end and lift up on the front cover until the tension in the cover pulls the cabinet apart. Continue moving along the length of the heater until the cover comes off.
3. With front cover removed, a vacuum cleaner or compressed air can be used to clear dust and lint from inside heater and around the heating element. Fins are sharp and may cause cuts so avoid contact by hands. Use care to not damage the aluminum fins.

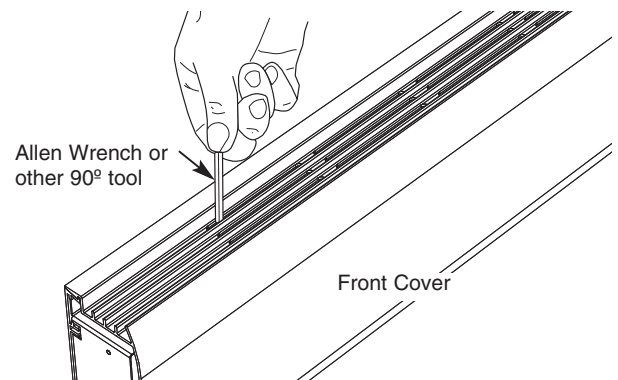


Fig. 7

4. As a matter of normal maintenance, check remainder of heater for damage or possible maintenance issues while cover is removed and make any repairs needed.
5. Replace front cover as shown in Fig. 5 making sure it is locked in position along length of heater. Restore power to heater and verify it is operating properly.

Typical Wiring of Multiple Heaters (without controls)

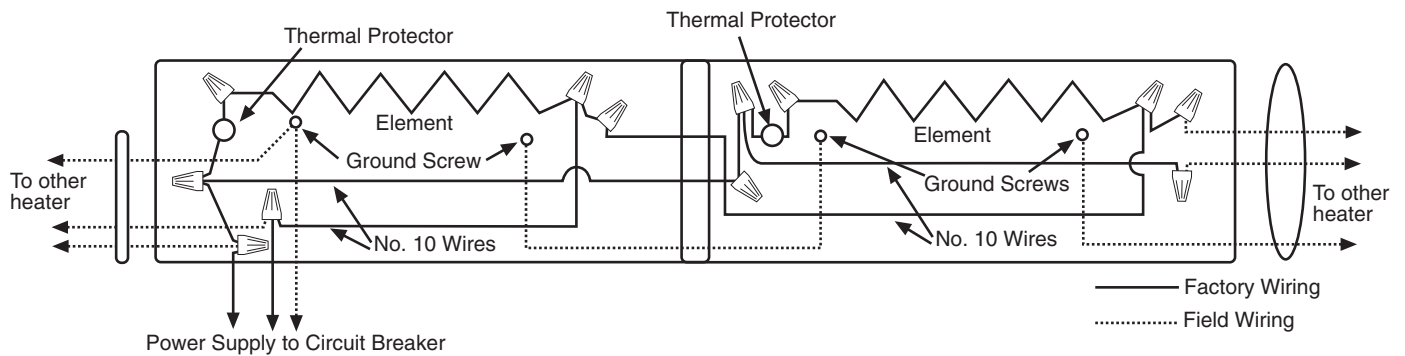


Fig. 8

LIMITED WARRANTY

All products manufactured by Marley Engineered Products are warranted against defects in workmanship and materials for one year from date of installation, except heating elements which are warranted against defects in workmanship and materials for five years from date of installation. This warranty does not apply to damage from accident, misuse, or alteration; nor where the connected voltage is more than 5% above the nameplate voltage; nor to equipment improperly installed or wired or maintained in violation of the product's installation instructions. All claims for warranty work must be accompanied by proof of the date of installation.

The customer shall be responsible for all costs incurred in the removal or reinstallation of products, including labor costs, and shipping costs incurred to return products to Marley Engineered Products Service Center. Within the limitations of this warranty, inoperative units should be returned to the nearest Marley authorized service center or the Marley Engineered Products Service Center, and we will repair or replace, at our option, at no charge to you with return freight paid by Marley. It is agreed that such repair or replacement is the exclusive remedy available from Marley Engineered Products.

THE ABOVE WARRANTIES ARE IN LIEU OF ALL OTHER WARRANTIES EXPRESSED OR IMPLIED, AND ALL IMPLIED WARRANTIES OF MERCHANTABILITY AND FITNESS FOR A PARTICULAR PURPOSE WHICH EXCEED THE AFORESAID EXPRESSED WARRANTIES ARE HEREBY DISCLAIMED AND EXCLUDED FROM THIS AGREEMENT. MARLEY ENGINEERED PRODUCTS SHALL NOT BE LIABLE FOR CONSEQUENTIAL DAMAGES ARISING WITH RESPECT TO THE PRODUCT, WHETHER BASED UPON NEGLIGENCE, TORT, STRICT LIABILITY, OR CONTRACT.

Some states do not allow the exclusion or limitation of incidental or consequential damages, so the above exclusion or limitation may not apply to you. This warranty gives you specific legal rights, and you may also have other rights which vary from state to state.

For the address of your nearest authorized service center, contact Marley Engineered Products in Bennettsville, SC, at 1-800-642-4328. Merchandise returned to the factory must be accompanied by a return authorization and service identification tag, both available from Marley Engineered Products. When requesting return authorization, include all catalog numbers shown on the products.

HOW TO OBTAIN WARRANTY SERVICE AND WARRANTY PARTS PLUS GENERAL INFORMATION

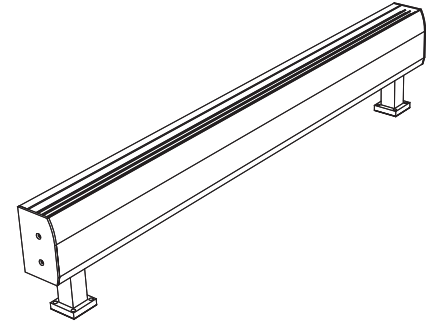
- | | |
|--------------------------------|-------------------------|
| 1. Warranty Service or Parts | 1-800-642-4328 |
| 2. Purchase Replacement Parts | 1-800-654-3545 |
| 3. General Product Information | www.marlymep.com |

When obtaining service always have the following:

1. Model number of the product
2. Date of manufacture
3. Part number or description



470 Beauty Spot Rd. East
Bennettsville, SC 29512 USA



Calefactores de convección tipo barrera, línea delgada, BDBSL



Dimensiones

Tipo	Altura	Ancho	Longitud
BDBSL	6" 152 mm	2-5/8" 69 mm	24" a 12' 610 mm a 3658 mm

Instrucciones de instalación, operación y mantenimiento

GENERALIDADES

Este calefactor está diseñado para proporcionar años de funcionamiento eficiente sin problemas como fuente de calor principal o complementaria para calefacción en aplicaciones residenciales y comerciales. La instalación o uso de este producto de una manera diferente a la descrita en este manual anulará la garantía y podría resultar en lesiones, daño a la propiedad, o daño permanente al calefactor.

INSTRUCCIONES IMPORTANTES



ADVERTENCIA



AL UTILIZAR APARATOS ELÉCTRICOS, SIEMPRE DEBEN SEGUIRSE PRECAUCIONES BÁSICAS PARA REDUCIR EL RIESGO DE INCENDIO, DESCARGA ELÉCTRICA Y LESIONES A PERSONAS, INCLUYENDO LO SIGUIENTE:

1. Lea todas las instrucciones antes de instalar o utilizar el calefactor.
2. Un calefactor tiene en su interior piezas calientes, piezas que forman arcos eléctricos o piezas que producen chispa. No utilice en áreas donde se utilice o almacene gasolina o líquidos inflamables.
3. Este calefactor estará caliente mientras está en uso. Para evitar quemaduras, no permita que la piel desnuda haga contacto con las superficies calientes. Mantenga alejados del calefactor los materiales combustibles tales como muebles, almohadas, ropa de cama, papeles, ropa y cortinas.
4. Para evitar un posible incendio, no obstruya de ninguna manera las entradas o salida del aire.
5. No inserte ni permita que objetos extraños ingresen a las aberturas de ventilación o de salida, ya que esto podría causar una descarga eléctrica, incendio, o podría dañar el calefactor.
6. Podrían producirse lesiones graves o la muerte por descarga eléctrica. Antes de instalar o suministrar servicio de mantenimiento a este calefactor, verifique que el circuito de suministro de energía eléctrica que llega al calefactor está desconectado en el interruptor de desconexión principal o panel de servicio.
7. El modelo BDBSL con 188 watts por pie lineal o menos, sin malla de alambre, tiene la certificación ETL para uso residencial.
8. El modelo BDBSL con 188 watts por pie lineal debe montarse sobre piso acabado con un espacio libre de 2 pulgadas.

GUARDE ESTAS INSTRUCCIONES

Tabla A - BDBSL (Datos técnicos)

Número de catálogo	Longitud "L"	Watts por pie	Watts total	Amperaje					
				120 V	208 V	240 V	277 V	347 V	600 V
22100		100	200	--	1.0	--	--	--	--
22150	24"	150	300	2.5	1.4	1.3	--	--	--
22188	(610 mm)	188	376	3.1	1.8	1.6	1.4	--	--
02100		100	200	1.7	1.0	0.8	--	--	--
02125	28"	125	250	2.1	1.2	1.0	0.9	--	--
02150	(711 mm)	150	300	2.5	1.4	1.3	1.1	--	--
02188		188	376	3.1	1.8	1.6	1.4	--	--
03100		100	300	2.5	1.4	1.3	1.1	--	--
03125	3'	125	375	3.1	1.8	1.6	1.4	1.1	--
03150	(914 mm)	150	450	3.8	2.2	1.9	1.6	1.3	--
03188		188	564	4.7	2.7	2.4	2.0	1.6	--
04100		100	400	3.3	1.9	1.7	1.4	1.2	--
04125	4'	125	500	4.2	2.4	2.1	1.8	1.4	--
04150	(1219 mm)	150	600	5.0	2.9	2.5	2.2	1.7	--
04188		188	752	6.3	3.6	3.1	2.7	2.2	1.3
05100		100	500	4.2	2.4	2.1	1.8	1.4	0.8
05125	5'	125	625	5.2	3.0	2.6	2.3	1.8	1.0
05150	(1524 mm)	150	750	6.3	3.6	3.1	2.7	2.2	1.3
05188		188	940	7.8	4.5	3.9	3.4	2.7	1.6
06100		100	600	5.0	2.9	2.5	2.2	1.7	1.0
06125	6'	125	750	6.3	3.6	3.1	2.7	2.2	1.3
06150	(1829 mm)	150	900	7.5	4.3	3.8	3.2	2.6	1.5
06188		188	1128	9.4	5.4	4.7	4.1	3.3	1.9
07100		100	700	--	3.4	2.9	2.5	2.0	1.2
07125	7'	125	875	--	4.2	3.6	3.2	2.5	1.5
07150	(2134 mm)	150	1050	--	5.0	4.4	3.8	3.0	1.8
07188		188	1316	--	6.3	5.5	4.8	3.8	2.2
08100		100	800	--	3.8	3.3	2.9	2.3	1.3
08125	8'	125	1000	--	4.8	4.2	3.6	2.9	1.7
08150	(2438 mm)	150	1200	--	5.8	5.0	4.3	3.5	2.0
08188		188	1504	--	7.2	6.3	5.4	4.3	2.5
09100		100	900	--	4.3	3.8	3.2	2.6	1.5
09125	9'	125	1125	--	5.4	4.7	4.1	3.2	1.9
09150	(2743 mm)	150	1350	--	6.5	5.6	4.9	3.9	2.3
09188		188	1692	--	8.1	7.1	6.1	4.9	2.8
10100		100	1000	--	4.8	4.2	3.6	2.9	1.7
10125	10'	125	1250	--	6.0	5.2	4.5	3.6	2.1
10150	(3048 mm)	150	1500	--	7.2	6.3	5.4	4.3	2.5
10188		188	1880	--	9.0	7.8	6.8	5.4	3.1

Diagrama de espacios libres:

Para un funcionamiento seguro y eficiente, siempre mantenga los siguientes espacios libres mínimos (vea Fig. 1):

Entre la parte inferior del calefactor y el piso con acabado:

- Para los modelos de 188 watts por pie o más, la parte inferior de las unidades debe montarse a al menos 2" de distancia del piso.
- Modelos con entrada de aire inferior (por abajo):
 - 100 a 188 watts por pie – 2 pulgadas (51 mm)

Entre la parte superior del calefactor y el techo/cielo raso (todos los modelos):

- 36 pulgadas (914 mm) mínimo

Entre la parte superior del calefactor y la parte inferior de cortinas (Vea el ejemplo 2):

- 6 pulgadas (152 mm) mínimo

NOTA IMPORTANTE: Ciertas telas y materiales de vinilo (tales como persianas de vinilo) podrían dañarse por el aire caliente procedente del calefactor y no deben instalarse encima del calefactor.

Entre la parte delantera del calefactor y cortinas de longitud completa (Vea el ejemplo 1):

- Distancia mínima entre la parte inferior de cortinas y el piso – 2-1/2 pulgadas (64 mm)
- Distancia mínima entre la parte superior de cortinas y el techo/cielo raso – 1/2 pulgada (13 mm)
- Distancia mínima entre la parte delantera del calefactor y el pliegue más cercano de la cortina – 2 pulgadas (51 mm)

Entre la parte superior del calefactor y la parte inferior del antepecho de ventana (base de la ventana):

- 12 pulgadas (305 mm) mínimo

Tabla B. Dimensiones de los alambres de instalación en campo

Tamaño de alambre de cobre para 90°C	Número Máx. de alambres instalados en conducto interno	Corriente máxima permisible		
		Hasta 2 alambres	3 a 4 alambres	4 a 5 alambres
No. 12 AWG	5	7 ampères	5 ampères	4.5 ampères
No. 10 AWG	4	9 ampères	7 ampères	6 ampères
No. 8 AWG	2	12.0 ampères	10 Amps	-

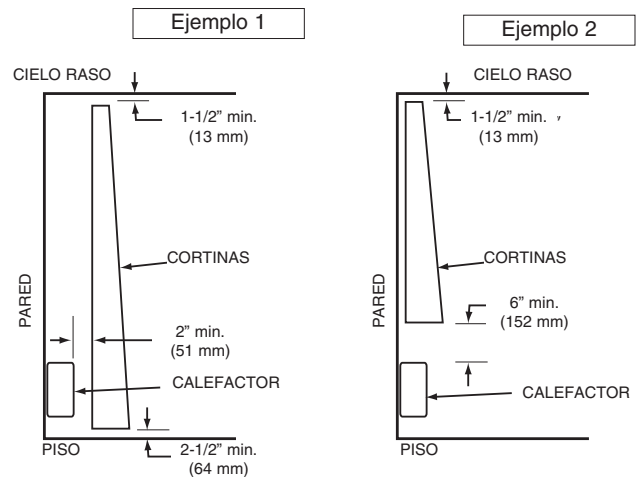


Fig. 1: Espacio libre para cortinas

INSTRUCCIONES DE INSTALACIÓN

⚠ ADVERTENCIA ⚠

PARA REDUCIR EL RIESGO DE INCENDIO Y DESCARGA ELÉCTRICA O LESIONES A PERSONAS, CUMPLA LO SIGUIENTE:

1. Podrían producirse lesiones graves o la muerte por descarga eléctrica. Antes de instalar este calefactor, verifique que el circuito de suministro de energía eléctrica que llega al calefactor está desconectado en el interruptor de desconexión principal o el panel de servicio.
2. Las conexiones y procedimientos de cableado deben realizarse de acuerdo con el Código Eléctrico Nacional (NEC) y los códigos locales. Consulte el Diagrama de cableado del calefactor y la Figura 8. Verifique que todas las conexiones eléctricas están apretadas para evitar posible sobrecalentamiento. Sólo utilice alambre de cobre para el alambre de suministro de energía eléctrica.
3. Verifique que el voltaje de suministro de energía eléctrica coincide con la capacidad nominal de voltaje impresa en la placa de datos del calefactor.

PRECAUCIÓN

4. No instale el calefactor contra superficies combustibles de tabla de fibra de celulosa de baja densidad, contra o debajo de cubiertas de vinilo de pared, o debajo de materiales que pudieran dañarse por el calor tales como persianas, cortinas de vinilo o plástico, etc.
5. No instale el calefactor debajo de un tomacorriente eléctrico.
6. **PRECAUCIÓN** – El calefactor funciona a altas temperaturas. Mantenga alejados del calefactor, los cables eléctricos (incluyendo los cables de teléfonos y computadoras), las cortinas y otros muebles. Para un funcionamiento eficiente y seguro, recomendamos mantener siempre un espacio libre mínimo de 6 pulgadas (152 mm) encima y al frente del calefactor. Vea el Diagrama de Espacios Libres para ver los requisitos de espacio libre mínimo.
7. Para reducir el riesgo de incendio, no almacene ni utilice gasolina ni otros vapores o líquidos inflamables cerca del calefactor.
8. No instale el calefactor de manera invertida o en cualquier posición diferente a la mostrada en este manual.
9. No instale el calefactor de manera empotrada en la pared ni instale el calefactor dentro de ningún tipo de encerramiento ya que esto causará que el calefactor se sobrecaliente y podría crear un peligro de seguridad.
10. Al montar el calefactor, tenga cuidado al taladrar los orificios de montaje y al montar el calefactor en la estructura de la edificación para evitar dañar los componentes internos del calefactor. Asegúrese de aflojar _ vuelta los tornillos de montaje para permitir la expansión y contracción.
11. No remueva ni puentee el(los) control(es) de límite de seguridad (protectores térmicos) ya que esto podría permitir que el calefactor se vuelva un peligro de incendio – vea el diagrama de cableado del calefactor suministrado con el calefactor.
12. Los alambres instalados en fábrica dentro del conducto superficial interno se utilizan para conectar los controles incorporados. Limite la corriente máxima a no más de 45 amperios en total. Consulte las instrucciones y la capacidad nominal de corriente según se suministran con el accesorio.
13. Los calefactores que no están instalados extremo con extremo deben tener tapas de extremo instaladas para cubrir los extremos expuestos del calefactor.
14. No permita que se coloquen objetos encima de calefactor ya que éstos podrían dañarse o crear un peligro de incendio.
15. Para evitar dañar el calefactor, no utilice un destornillador para separar la cubierta delantera de la carcasa trasera. Sólo utilice una espátula según se muestra, vea la Fig. 2
16. Antes de energizar, verifique que la cubierta delantera está asegurada apropiadamente sobre la carcasa trasera a lo largo de todo el calefactor, vea la Fig. 5. No ponga en funcionamiento el calefactor sin la cubierta delantera instalada.

Preparación preliminar del cableado

1. Tienda un circuito de derivación de voltaje y tamaño de alambre apropiados hasta el sitio de la caja de conexiones izquierda o derecha según se indica en el diagrama de cableado del calefactor. Los calefactores básicos están precableados y pueden conectarse al circuito de derivación en cualquier extremo. Los calefactores con controles están precableados para conexión con el circuito de derivación en un (1) extremo únicamente (consulte el diagrama de cableado del calefactor). Sin embargo, el calefactor puede cablearse desde el extremo opuesto tendiendo los alambres a través del conducto superficial interno del calefactor. Vea la Fig. 3 para conocer las ubicaciones de las tapas precortadas removibles.
2. Si es necesario tender alambres a través del conducto superficial interno del calefactor, utilice la Tabla B para dimensionar los alambres instalables en campo.
3. Los alambres instalados en fábrica en el conducto superficial interno del calefactor pueden cargarse hasta 45 amperios. Consulte la Tabla C para obtener la longitud máxima del cableado (tendido) del calefactor cuando los calefactores se conectan en paralelo.

Interruptor de desconexión:	20 amps @ 120-277 VAC
Termostato:	25 amps @ 120-240 VAC 22 amps @ 277 VAC
Relé del transformador:	25 amps @ 120-240 VAC 22 amps @ 277 VAC 17 amps @ 347 VAC 12 amps @ 600 VAC
Relé de potencia	25 amps @ 120-277 VAC
Interruptor eléctrico/neumático	25 amps @ 120-277 VAC

NOTA: Para la mezcla de densidades de potencia (watts), calcule el consumo de amperios. No exceda de 45 amperios.

4. Deben utilizarse alambres estándar para 90°C en las cajas de conexiones, los conductos superficiales internos, las secciones de espacios libres, las secciones de relleno, las secciones de esquina.

Disposición en salón

Consulte los planos de calefacción para obtener la disposición exacta en salón de los calefactores (con o sin termostatos y/o relés y/o interruptores y accesorios).

Antes de iniciar la instalación del tipo pared a pared, estudie las dimensiones de las secciones de calefactor y la longitud de pared adicional requerida para las secciones de relleno o las secciones de espacios libres. Verifique que todos los calefactores y accesorios necesarios están disponibles y tienen el acabado correcto.

Altura de montaje (vea la tabla de espacios libres)

NOTA: Puede instalarse cubierta de piso de hasta _" de espesor, tal como alfombras, baldosas, linóleo, etc. alrededor y debajo del calefactor sin afectar adversamente el desempeño de los calefactores.

En la altura correcta, dibuje una línea con lápiz en la pared, a nivel y/o en paralelo con el antepecho de ventana (base de la ventana). Las alturas de montaje mínimas sobre el piso deberán ser las siguientes.

Instalación de unidad sola

NOTA: Para facilidad de instalación, es importante seguir en orden la secuencia de operación indicada abajo. Para los calefactores con más de una plataforma de calor, las plataformas de calor pueden cablearse en paralelo o cada plataforma de calor puede alimentarse mediante un circuito separado. Vea la placa de datos del calefactor para conocer la carga de corriente para cada plataforma de calor.

1. Saque la unidad de la caja de cartón y deseche las almohadillas externas y la envoltura plástica.
2. Saque la cubierta delantera colocando el calefactor sobre su parte trasera e insertando una espátula (u otra herramienta de pala ancha delgada, 1" [25mm] de ancho como mínimo) aproximadamente 6" (152mm) a partir del extremo del calefactor y haciendo palanca hacia arriba según se muestra en la Fig.2. Esto abrirá el cierre de sujeción a presión. Repita según se requiera a todo lo largo del calefactor hasta que la cubierta delantera se desenganche completamente de la parte trasera del calefactor.

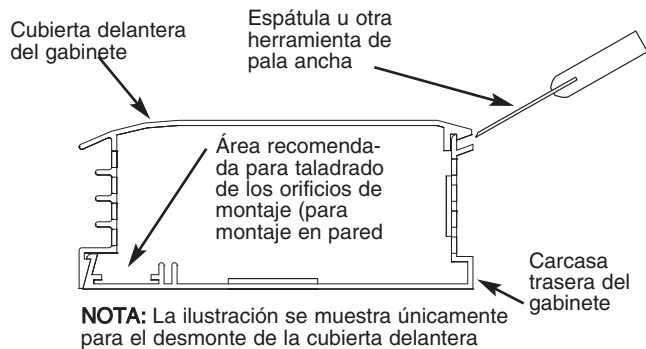


Fig. 2

3. Remueva las tapas precortadas removibles apropiadas de cualquier caja de conexiones. Vea la Fig. 3 para conocer la ubicación de las tapas precortadas removibles. Si el calefactor se montará en pedestal, consulte las instrucciones de instalación del pedestal.
4. Taladre los orificios de montaje de tamaño requerido en la carcasa del calefactor (vea la Fig. 2 para conocer la ubicación recomendada de los orificios de montaje).
5. Sostenga la carcasa del calefactor contra la pared para verificar la uniformidad de la pared. No instale el calefactor contra una superficie de pared irregular. Si se encuentra una pared irregular, utilice cuñas para mantener recta la carcasa del calefactor.

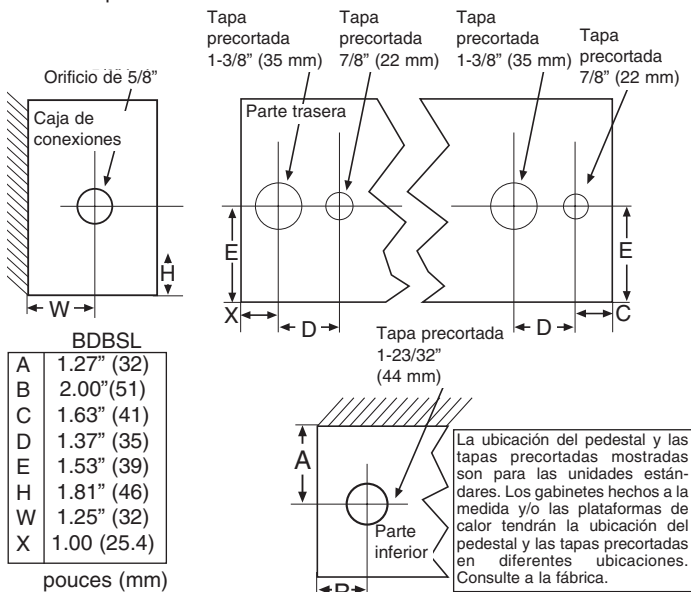


Fig. 3

6. Tienda un circuito de derivación de tamaño apropiado hasta la caja de conexiones a través de la tapa precortada removible seleccionada.
7. Monte el calefactor en la pared utilizando tornillos, pernos o anclajes (suministrados por el instalador) según la construcción de la pared.

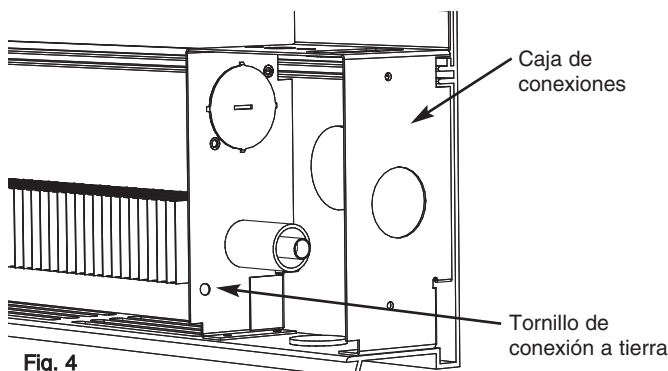


Fig. 4

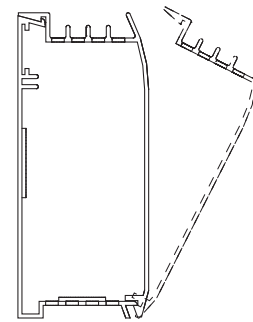


Fig. 5

8. Apriete el tornillo de montaje y retrocédalo 1/2 vuelta para permitir la expansión y contracción del calefactor.
9. Siguiendo el diagrama de cableado fijado al calefactor, realice las conexiones eléctricas. Conecte a tierra el calefactor utilizando el tornillo de conexión a tierra suministrado. Vea la Fig. 4.
10. Coloque nuevamente la cubierta delantera enganchando el borde delantero inferior de la cubierta delantera sobre el borde delantero inferior de la carcasa y empujando la cubierta hacia atrás en línea recta para enganchar el borde trasero superior de la carcasa con el borde trasero superior de la cubierta delantera. Vea la Fig. 5.

Instalación de unidades múltiples de pared a pared

NOTA: Para facilidad de instalación, es importante seguir en orden la secuencia de operaciones indicada abajo.

1. Repita los pasos 1 y 2 de la Instalación de unidad sola.
2. Consulte el diagrama de cableado para ver la entrada del alambre(s) de alimentación de energía y remueva la tapa precortada removible apropiada (Fig. 3) del calefactor en que deben realizarse las conexiones de alimentación de energía. El alambre(s) de alimentación de energía puede introducirse en el extremo de un (1) calefactor y los calefactores restantes pueden conectarse en paralelo utilizando el conducto superficial interno de alambres. Utilice la Tabla B para dimensionar los alambres instalables en campo en el conducto superficial interno o utilice la Tabla A para determinar la longitud máxima o el tramo de calefactor accesible utilizando el alambre instalado en fábrica en el conducto superficial interno del calefactor.
3. Si deben utilizarse secciones de relleno, esquinas interiores, esquinas exteriores, kits de empalmes o tapas de extremo, consulte las instrucciones de instalación de los accesorios del calefactor de convección. Si las unidades deben montarse en pedestal, consulte las instrucciones de instalación de los accesorios del calefactor de convección.

NOTA: Si un calefactor tiene un interruptor de desconexión y/o termostato, y debe tener una sección de relleno en cualquier extremo, la sección de relleno no debe cubrir el acceso a estos controles.

4. Si el tramo de calefactores incluye una esquina interior o una esquina exterior, monte la esquina a la pared (vea las instrucciones de instalación de accesorios incluidas con las esquinas), luego monte el calefactor.
5. Taladre orificios de montaje de tamaño requerido en todas las carcasas de los calefactores. (Vea la Fig. 2 para conocer la ubicación recomendada de los orificios de montaje).
6. Sostenga las carcasas de los calefactores contra la pared para verificar la uniformidad de la pared. No instale los calefactores contra una superficie de pared irregular. Si se encuentra una pared irregular, utilice cuñas para mantener recta la carcasa del calefactor.
7. Tienda un circuito de derivación de tamaño apropiado hasta la caja de conexiones a través de la tapa precortada removible seleccionada.
8. Monte los calefactores en la pared utilizando tornillos, pernos o anclajes (suministrados por el instalador) que correspondan con el tipo de construcción de la pared. Las lengüetas de alineación pueden insertarse en las carcasas traseras adyacentes para garantizar una alineación uniforme. Vea la Fig. 6 para obtener detalles.
9. Siguiendo el diagrama de cableado fijado al calefactor, realice las conexiones eléctricas. Consulte la Fig. 8 para conectar los otros calefactores en paralelo. La conexión a tierra de los otros calefactores se logra conectando un alambre de puente (no suministrado) entre dos calefactores adyacentes.

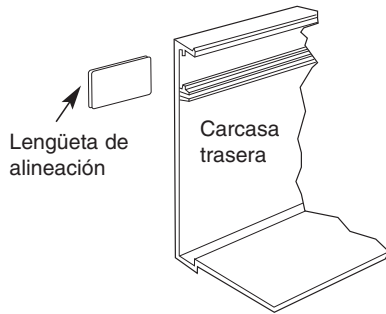


Fig. 6

10. Coloque nuevamente las cubiertas delanteras siguiendo el Paso 10 de la **Instalación de unidad sola**, (vea la Fig. 5.)

Secciones de espacios libres

Las secciones de espacios libres, si hay alguna, se instalan de la misma manera como se instalan los calefactores.

INSTRUCCIONES DE MANEJO

1. Después que el(los) calefactor(es) estén completamente ensamblados e instalados, coloque el termostato o los controles de funcionamiento en NO HEAT (NO CALOR) y energice el(los) circuito(s). Verifique que el(los) calefactor(es) no están produciendo calor.
2. Ajuste el termostato o el control de operación para pedir calor. Permita que el calefactor(es) funcione durante unos pocos minutos y verifique que todos los calefactores están produciendo calor.

Nota: Durante la puesta en funcionamiento inicial, los calefactores podrían presentar un olor a nuevo y posiblemente algo de humo leve por los residuos de fabricación en el elemento calefactor. Permita que los calefactores funcionen durante aproximadamente 30 minutos para disipar estos residuos. Podría ser deseable ventilar el área.

3. Para ajustar el termostato o los controles de operación para que mantengan el nivel de comodidad deseado, permita que los calefactores funcionen hasta que la temperatura ambiente alcance el nivel deseado. En este momento, el termostato o el control de operación puede ajustarse para mantener esta temperatura.

Nota: Cuando se suministra un interruptor de desconexión y/o un termostato incorporado, el acceso a estos controles será a través de las aberturas de rejilla en cualquier extremo del calefactor. Para girar el eje del termostato se requerirá un destornillador de cabeza plana pequeño. El interruptor de desconexión es un interruptor tipo balancín que puede manejarse con el mismo destornillador o una herramienta a través de las aberturas.

4. Si el calefactor está equipado con un termostato incorporado, después que el salón alcance el nivel de comodidad deseado, gire en sentido antihorario el eje del termostato hasta que el termostato haga clic. Esto debe permitir que el termostato encienda y apague el calefactor para mantener esta temperatura. La rotación en sentido horario permitirá que el calefactor permanezca ENCENDIDO DURANTE MÁS TIEMPO y mantendrá una MAYOR temperatura ambiente. Igualmente, la rotación en sentido antihorario hará que el calefactor permanezca ENCENDIDO DURANTE MENOS TIEMPO y la temperatura ambiente será INFERIOR. Si se suministran termostato remoto u otros tipos de controles, consulte las instrucciones suministradas con esos controles para un funcionamiento apropiado.

NOTA IMPORTANTE: Estos calefactores se suministran con un límite de seguridad incorporado (Protector térmico – vea la Fig. 8) para apagar automáticamente el calefactor si éste se obstruye o se sobrecalienta de otro modo debido a una condición anormal. Los calefactores no deben ciclar (apagarse y encenderse) por este control de seguridad durante el uso normal. Si esto está ocurriendo, revise la instalación del calefactor para garantizar que éste tiene los espacios libres adecuados y que el flujo de aire libre alrededor del calefactor no está restringido. Si el calefactor continúa ciclando (apagándose y encendiéndose) por este control de seguridad, interrumpa su uso hasta que pueda ser inspeccionado y/o reparado por un electricista capacitado.

INSTRUCCIONES DE MANTENIMIENTO

Su calefactor le proporcionará años de servicio y comodidad con sólo un mínimo de cuidado. El usuario puede realizar la limpieza periódica del gabinete exterior, pero toda la demás limpieza interior y el servicio de mantenimiento deben ser realizados por una persona de servicio capacitada.

Nota: Para un funcionamiento eficiente y seguro, el flujo de aire no debe estar restringido hacia adentro y alrededor del calefactor. A medida que el aire se mueve por convección a través del calefactor, el polvo y pelusas podrían acumularse dentro del calefactor y alrededor del elemento calefactor que debe limpiarse periódicamente. Se recomienda limpiar e inspeccionar su calefactor en busca de daños, de manera anual como mínimo (o más frecuentemente en caso de necesitarse).

⚠ ADVERTENCIA ⚠

1. Podrían producirse lesiones graves o la muerte por descarga eléctrica. Antes de suministrar servicio de mantenimiento a este calefactor, verifique que el(los) circuito(s) de suministro de energía eléctrica que llega(n) al calefactor está(n) desconectado(s) en el interruptor de desconexión principal o el panel de servicio. Antes de limpiar, permita que el calefactor se enfríe para evitar una posible quemadura.

Nota: Más de una (1) fuente de energía podría ingresar al calefactor. Antes de limpiar o suministrar servicio de mantenimiento, verifique que toda energía que alimenta el calefactor está desconectada.

2. Tenga precaución al limpiar las aletas del elemento calefactor para evitar dañar las aletas. Además observe que las aletas son filosas y podrían causar cortaduras, de modo que evite hacer contacto con éstas.

1. El exterior del calefactor puede limpiarse con un trapo húmedo. Sin embargo, no utilice limpiadores fuertes, limpiametales o ceras, ya que éstos podrían dañar la superficie o dejar un residuo que producirá decoloramiento.
2. Para limpiar el interior del calefactor se requerirá el desmontaje de la cubierta delantera. Para desmontar la cubierta delantera, primero desenganche el seguro de cierre a presión trasero superior. Utilice una herramienta en forma de "L", tal como una llave Allen, para levantar debajo de la rejilla entre la hilera trasera de ranuras (vea la Fig. 7). Comience en cualquier extremo y levante la cubierta delantera hasta que la tensión en la cubierta desprenda el gabinete. Continúe moviéndose a todo lo largo del calefactor hasta que la cubierta se suelte.
3. Con la cubierta delantera desmontada, puede utilizarse una aspiradora o aire comprimido para remover el polvo y las pelusas del interior del calefactor y alrededor del elemento calefactor. Las aletas son filosas y podrían causar cortaduras, de modo que evite el contacto con las manos. Tenga cuidado para no dañar las aletas de aluminio.

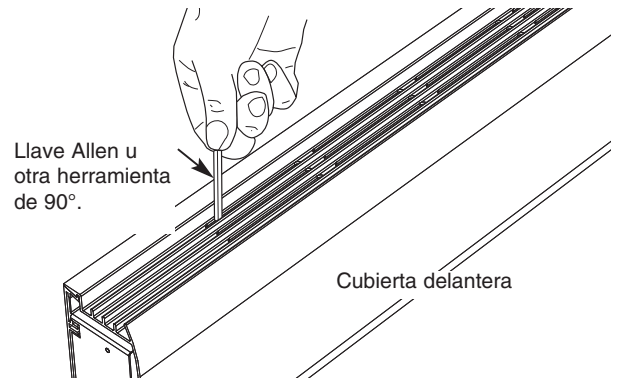


Fig. 7

4. Como asunto de mantenimiento normal, revise el resto del calefactor en busca de daño o posibles problemas de mantenimiento mientras la cubierta está desmontada, y realice cualquier reparación necesaria.
5. Coloque nuevamente la cubierta delantera según se muestra en la Fig. 5 verificando que quede asegurada en posición a todo lo largo del calefactor. Restaure la energía hacia el calefactor y verifique que está funcionando apropiadamente.

Cableado típico de múltiples calefactores (sin controles)

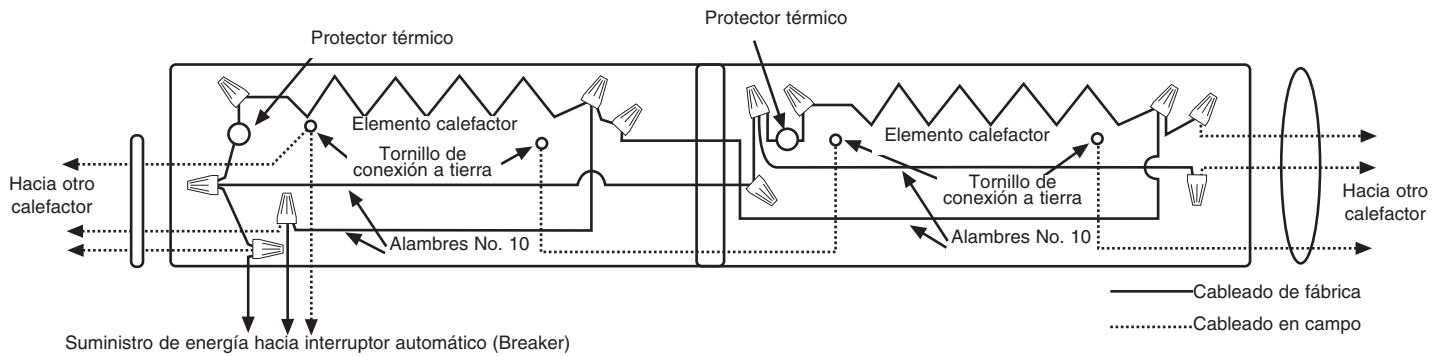


Fig. 8

GARANTÍA LIMITADA

Todos los productos fabricados por Marley Engineered Products están garantizados contra defectos en manufactura y materiales durante un (1) año a partir de la fecha de instalación, excepto los elementos calefactores los cuales están garantizados contra defectos en manufactura y materiales durante cinco años a partir de la fecha de instalación. Esta garantía no aplica a daño por accidente, uso incorrecto, o alteración; ni donde el voltaje conectado sea superior en 5% al voltaje indicado en la placa de datos; ni se aplica a equipo instalado o cableado o mantenido de manera inapropiada en violación de las instrucciones de instalación del producto. Todas las reclamaciones de trabajo de garantía deben incluir un documento que compruebe la fecha de instalación.

El cliente será responsable de todos los costos incurridos en la remoción o reinstalación de productos, incluyendo los costos de mano de obra, y los costos de envío incurridos para devolver los productos al Centro de Servicio de Marley Engineered Products. Dentro de los límites de esta garantía, las unidades inoperantes deben devolverse al centro de servicio autorizado Marley más cercano o al Centro de Servicio de Marley Engineered Products, y nosotros repararemos o reemplazaremos, según nuestra elección, sin costo para usted, con el costo de envío de regreso pagado por Marley. Se acuerda que dicha reparación o reemplazo es el remedio exclusivo disponible de parte de Marley Engineered Products.

LAS ANTERIORES GARANTÍAS REEMPLAZAN CUALQUIER OTRA GARANTÍA EXPRESA O IMPLÍCITA, Y TODAS LAS GARANTÍAS IMPLÍCITAS DE MERCADERABILIDAD Y ADECUADIBILIDAD PARA UN PROPÓSITO EN PARTICULAR QUE EXCEDEN LAS GARANTÍAS EXPRESAS MENCIONADAS SON DENEGADAS MEDIANTE ESTE DOCUMENTO Y EXCLUIDAS DE ESTE ACUERDO. MARLEY ENGINEERED PRODUCTS NO SERÁ RESPONSABLE POR DAÑOS CONSECUCIONALES QUE SURJAN CON RESPECTO AL PRODUCTO, ESTÉN O NO BASADOS EN NEGLIGENCIA, INFRACCIÓN, RESPONSABILIDAD ESTRICTA, O CONTRATO.

Algunos estados no permiten la exclusión o la limitación de los daños resultantes o adicionales, de modo que la anterior exclusión o limitación podría no aplicarse a usted. Esta garantía le otorga derechos legales específicos, y además, usted podría tener otros derechos que varían de un estado a otro.

Para obtener la dirección de su centro de servicio autorizado más cercano, comuníquese con Marley Engineered Products en Bennettsville, SC, en el teléfono: 1-800-642-4328. La mercancía devuelta a la fábrica debe incluir una autorización de devolución y la etiqueta de identificación de servicio, las cuales pueden conseguirse en Marley Engineered Products. Al solicitar la autorización de devolución, incluya todos los números de catálogo mostrados en los productos.

CÓMO OBTENER EL SERVICIO DE GARANTÍA Y LAS PIEZAS DE GARANTÍA, Y ADEMÁS, INFORMACIÓN GENERAL

1. Servicio o Piezas de Garantía **1-800-642-4328**
2. Compra de Piezas de Repuesto **1-800-654-3545**
3. Información General de Productos **www.marlymep.com**

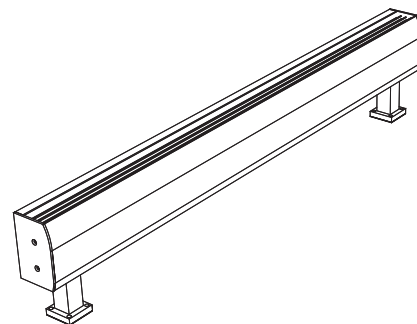
Nota: Al solicitar servicio, siempre tenga a mano lo siguiente:

1. Número de modelo del producto
2. Fecha de fabricación
3. Número o descripción de la pieza



470 Beauty Spot Rd. East
Bennettsville, SC 29512 USA

BDBSL Radiateurs à convection minces



Dimensions

Type	Hauteur	Largeur	Longueur
BDBSL	6" 152 mm	2-5/8" 69 mm	24" à 12' 610 mm à 3658 mm

Instructions d'installation, d'utilisation et d'entretien

GÉNÉRALITÉS

Ce radiateur est conçu pour fournir des années de fonctionnement efficace et sans soucis comme source de chaleur principale ou auxiliaire, pour du chauffage de confort dans des applications résidentielles et commerciales. L'installation ou l'utilisation de ce produit d'une manière non décrite ici annulera la garantie et pourrait entraîner des blessures, des dégâts matériels ou des dommages permanents sur le radiateur.

INSTRUCTIONS IMPORTANTES

AVERTISSEMENT

LORS DE L'UTILISATION D'APPAREILS ÉLECTRIQUES, DES PRÉCAUTIONS DE BASE DOIVENT TOUJOURS ÊTRE SUIVIES AFIN DE RÉDUIRE LE RISQUE DE DÉPART D'INCENDIE, DE COMMOTION ÉLECTRIQUE ET DE BLESSURES AUX PERSONNES, INCLUANT CELLES QUI SUIVENT :

1. Lisez toutes les instructions avant d'installer ou d'utiliser le radiateur.
2. Un radiateur comporte à l'intérieur des parties chaudes, et pouvant produire un arc ou des étincelles électriques. Ne l'utilisez pas dans des zones où de l'essence ou des liquides inflammables sont utilisés.
3. Ce radiateur est chaud quand il est en fonctionnement. Pour éviter des brûlures, ne laissez pas de peau nue toucher ses surfaces chaudes. Maintenez les matières combustibles, comme les meubles, les oreillers et la literie, les papiers, les habits et les rideaux, à distance du radiateur.
4. Pour éviter un possible départ d'incendie, n'obstruez en aucune façon les admissions et les échappements d'air.
5. N'insérez pas d'objets étrangers, et ne permettez pas qu'il en entre, dans toute ouverture d'admission ou d'évacuation, car cela peut causer une commotion électrique ou un départ d'incendie, ou endommager le radiateur.
6. Une blessure sérieuse voire mortelle peut résulter d'une commotion électrique. Assurez-vous que le circuit du secteur d'alimentation électrique arrivant au radiateur est bien débranché en amont à l'interrupteur général ou au panneau de service avant d'intervenir pour installer ou dépanner ce radiateur.
7. Les modèles BDBSL de 188 watts ou moins par pied de longueur, sans grillage métallique, sont listés ETL pour une utilisation résidentielle.
8. Le modèle BDBSL de 188 watts par pied de longueur doit être monté au-dessus d'un sol avec finition avec un écartement d'au moins 2 pouces (5 cm).

CONSERVEZ CES INSTRUCTIONS

Tableau A - BDBSL (Données techniques)

N° au catalogue	Longueur "L"	Watts par pied	Total en Watts	Ampérage						
				120 V	208 V	240 V	277 V	347 V	600 V	
22100		100	200	--	1.0	--	--	--	--	--
22150	24"	150	300	2.5	1.4	1.3	--	--	--	--
22188	(610 mm)	188	376	3.1	1.8	1.6	1.4	--	--	--
02100		100	200	1.7	1.0	0.8	--	--	--	--
02125	28"	125	250	2.1	1.2	1.0	0.9	--	--	--
02150	(711 mm)	150	300	2.5	1.4	1.3	1.1	--	--	--
02188		188	376	3.1	1.8	1.6	1.4	--	--	--
03100		100	300	2.5	1.4	1.3	1.1	--	--	--
03125	3'	125	375	3.1	1.8	1.6	1.4	1.1	--	--
03150	(914 mm)	150	450	3.8	2.2	1.9	1.6	1.3	--	--
03188		188	564	4.7	2.7	2.4	2.0	1.6	--	--
04100		100	400	3.3	1.9	1.7	1.4	1.2	--	--
04125	4'	125	500	4.2	2.4	2.1	1.8	1.4	--	--
04150	(1219 mm)	150	600	5.0	2.9	2.5	2.2	1.7	--	--
04188		188	752	6.3	3.6	3.1	2.7	2.2	1.3	--
05100		100	500	4.2	2.4	2.1	1.8	1.4	0.8	--
05125	5'	125	625	5.2	3.0	2.6	2.3	1.8	1.0	--
05150	(1524 mm)	150	750	6.3	3.6	3.1	2.7	2.2	1.3	--
05188		188	940	7.8	4.5	3.9	3.4	2.7	1.6	--
06100		100	600	5.0	2.9	2.5	2.2	1.7	1.0	--
06125	6'	125	750	6.3	3.6	3.1	2.7	2.2	1.3	--
06150	(1829 mm)	150	900	7.5	4.3	3.8	3.2	2.6	1.5	--
06188		188	1128	9.4	5.4	4.7	4.1	3.3	1.9	--
07100		100	700	--	3.4	2.9	2.5	2.0	1.2	--
07125	7'	125	875	--	4.2	3.6	3.2	2.5	1.5	--
07150	(2134 mm)	150	1050	--	5.0	4.4	3.8	3.0	1.8	--
07188		188	1316	--	6.3	5.5	4.8	3.8	2.2	--
08100		100	800	--	3.8	3.3	2.9	2.3	1.3	--
08125	8'	125	1000	--	4.8	4.2	3.6	2.9	1.7	--
08150	(2438 mm)	150	1200	--	5.8	5.0	4.3	3.5	2.0	--
08188		188	1504	--	7.2	6.3	5.4	4.3	2.5	--
09100		100	900	--	4.3	3.8	3.2	2.6	1.5	--
09125	9'	125	1125	--	5.4	4.7	4.1	3.2	1.9	--
09150	(2743 mm)	150	1350	--	6.5	5.6	4.9	3.9	2.3	--
09188		188	1692	--	8.1	7.1	6.1	4.9	2.8	--
10100		100	1000	--	4.8	4.2	3.6	2.9	1.7	--
10125	10'	125	1250	--	6.0	5.2	4.5	3.6	2.1	--
10150	(3048 mm)	150	1500	--	7.2	6.3	5.4	4.3	2.5	--
10188		188	1880	--	9.0	7.8	6.8	5.4	3.1	--

Tableau d'écartements :

Pour un fonctionnement sûr et efficace, maintenez au moins les écartements suivants en permanence (Voir la Fig. 1) :

Bas du radiateur jusqu'à la finition de sol :

- Pour des modèles de 188 watts par pied ou plus, le bas des appareils doit être surélevé d'au moins 2 pouces (51 mm) par rapport au sol.

• Modèles à admission par le fond :

- 100-188 watts par pied – 2 pouces (51 mm)

Dessus du radiateur au plafond (tous les modèles) :

- Au minimum 36 pouces (914 mm)

Dessus du radiateur au bas des rideaux surmontant le radiateur (Voir l'exemple 2) :

- Distance minimale de 6 pouces (152 mm)

REMARQUE IMPORTANTE : Certains tissus et matériaux en vinyle (comme des stores en vinyle) peuvent être endommagés par l'air réchauffé venant du radiateur, et ne doivent être installés au-dessus de lui.

Devant du radiateur par rapport à des rideaux de hauteur complète (Voir l'exemple 1) :

- Distance minimale entre le bas des rideaux et le sol – 2-1/2 pouces (64 mm)
- Distance minimale entre le haut des rideaux et le plafond – 1/2 pouce (13 mm)
- Distance minimale entre l'avant du radiateur et le pli le plus proche des rideaux – 2 pouces (51 mm)

Dessus du radiateur au bas de l'appui de fenêtre :

- Distance minimale de 12 pouces (305 mm)

Tableau B. Calibre du câblage installé sur site

Calibre de fil en cuivre pour 90 °C	Nombre max. de fils dans le chemin de câble	Courant maximal admis		
		Jusqu'à 2 conducteurs	3 à 4 conducteurs	4 à 5 conducteurs
No. 12 AWG	5	7 ampères	5 ampères	4.5 ampères
No. 10 AWG	4	9 ampères	7 ampères	6 ampères
No. 8 AWG	2	12.0 ampères	10 Amps	-

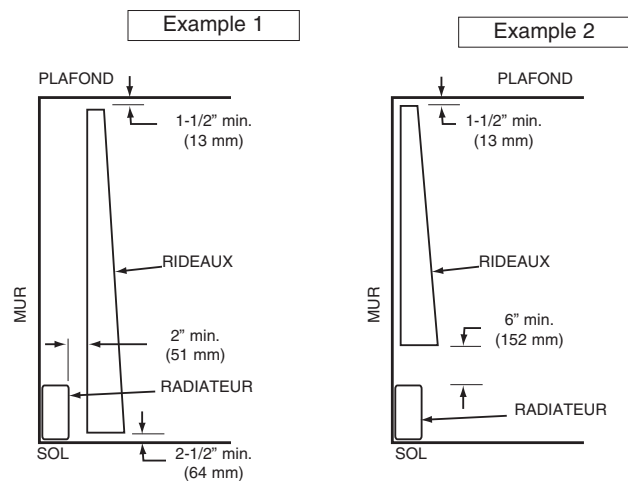


Fig. 1 : Écartement pour les draperies

INSTRUCTIONS D'INSTALLATION

AVERTISSEMENT

POUR RÉDUIRE LE RISQUE DE DÉPART D'INCENDIE, DE COMMOTION ÉLECTRIQUE ET DE BLESSURES AUX PERSONNES, OBSERVEZ LES CONSIGNES SUIVANTES :

1. Une blessure sérieuse voire mortelle peut résulter d'une commotion électrique. Assurez-vous que le circuit du secteur d'alimentation électrique arrivant au radiateur est bien débranché en amont à l'interrupteur général ou au panneau de service avant d'installer ce radiateur.
2. Les procédures de câblage et les connexions doivent être en conformité avec la norme électrique américaine (NEC) et les normes locales. Référez-vous au schéma de câblage du radiateur en Figure 8. Assurez-vous que toutes les connexions électriques sont bien serrées pour éviter une possible surchauffe. N'utilisez que des fils d'alimentation en cuivre.
3. Vérifiez que la tension du secteur correspond à la tension nominale telle qu'imprimée sur la plaque signalétique du radiateur.

ATTENTION – Ne branchez jamais un radiateur sur une source de tension supérieure à celle de sa plaque signalétique, car cela l'endommagerait et pourrait causer un départ d'incendie.

4. N'installez pas le radiateur contre des surfaces inflammables de panneaux de fibre en cellulose de faible densité, contre ou sous des revêtements muraux en vinyle, ou sous tous les matériaux pouvant être endommagés par la chaleur, comme des stores en vinyle ou en plastique, des rideaux, etc.
5. N'utilisez pas le radiateur sous une prise d'alimentation secteur.
6. **ATTENTION** – Le radiateur fonctionne à des températures élevées. Maintenez les cordons électriques (dont les câbles du téléphone et de l'ordinateur), les tentures et autres parties de l'ameublement à distance du radiateur. Pour un fonctionnement sûr et efficace, nous recommandons de garder 6 pouces (152 mm) d'écartement au-dessus et devant le radiateur en permanence. Consultez le tableau d'écartements pour les exigences en distance minimale.
7. Pour réduire le risque de départ d'incendie, n'entreposez pas et n'utilisez pas d'essence ou d'autres produits inflammables sous forme de liquide ou de vapeurs à proximité du radiateur.
8. N'installez pas le radiateur à l'envers ou dans toute position qui ne serait pas montrée dans ce manuel.
9. N'encastrez pas le radiateur dans un mur, ou ne l'installez pas dans un quelconque type d'enceinte, car cela provoquerait sa surchauffe et pourrait créer un danger.
10. Au montage du radiateur, faites attention pour percer les trous de montage et en fixant le radiateur sur la structure du bâtiment, pour éviter d'endommager des composants internes. Assurez-vous de desserrer les vis de fixation d'un demi tour pour permettre l'expansion et la contraction.
11. N'enlevez pas et ne contournez pas le(s) contrôle(s) de limite de sécurité (protections thermiques) car cela pourrait faire du radiateur un risque de départ d'incendie, consultez le schéma de câblage du radiateur fourni avec lui.
12. Les fils installés en usine dans le chemin de câbles sont utilisés pour connecter les commandes intégrées. Limitez le courant maximal à 45 ampères. Reportez-vous aux instructions et à la spécification de courant fournies avec l'appareil.
13. Les radiateurs qui ne sont pas installés bout-à-bout doivent avoir des capuchons d'extrémité placés pour couvrir leurs extrémités exposées.
14. Ne laissez pas placer d'objets sur le dessus du radiateur, ils pourraient être endommagés et créer un risque de départ d'incendie.
15. Pour éviter d'endommager le radiateur, n'utilisez pas de tournevis pour séparer le couvercle avant du coffret arrière. N'utilisez qu'un couteau à mastiquer comme montré sur la Figure 2.
16. Avant la mise sous tension, assurez-vous que le couvercle avant est bien installé sur le carter arrière, sur toute la longueur du radiateur, voyez la Figure 5. Ne faites pas fonctionner un radiateur sans que son couvercle avant soit en place.

Câblage de préparation

1. Tirez une branche de circuit secteur, avec la bonne tension et une taille de fils correcte, jusqu'à l'emplacement du boîtier de raccordement de gauche ou de droite, comme indiqué sur le schéma de câblage du radiateur. Les radiateurs de base sont précâblés et peuvent se connecter au secteur d'un côté ou de l'autre. Les radiateurs avec commandes sont câblés à l'avance pour un raccordement au circuit d'alimentation d'un seul côté (reportez-vous au schéma de câblage du radiateur). Cependant un radiateur peut être câblé depuis l'extrémité opposée en tirant des fils au travers sans son chemin de câble. Voyez la Figure 3 pour l'emplacement des trous à enfoncer.
2. S'il est nécessaire de faire traverser des fils dans le radiateur, utilisez le Tableau B pour déterminer le calibre du câblage installé sur site.
3. Les fils installés en usine dans le chemin de câble du radiateur peuvent supporter jusqu'à 45 ampères. Référez-vous au Tableau C pour la longueur maximale du tronçon dans les radiateurs quand des radiateurs sont branchés en parallèle.

Interrupteur de coupure : 20 ampères sous 120-277 V CA

Thermostat : 25 ampères sous 120-240 V CA

22 ampères sous 277 V CA

Relais de transformateur : 25 ampères sous 120-240 V CA

22 ampères sous 277 V CA

17 ampères sous 347 V CA

12 ampères sous 600 V CA

Relais d'alimentation : 25 ampères sous 120-277 V CA

Commutateur pneumatique/

électrique :

25 ampères sous 120-277 V CA

Pneumatic/Electric

25 amps @ 120-277 VAC

REMARQUE : En cas de mélange des puissances, calculez les ampères consommés. Ne dépassez pas 45 ampères.

4. Du câblage standard pour 90 °C doit être utilisé dans les boîtiers de raccordement, les chemins de câble, les sections vides, les sections de remplissage et les sections d'angle.

Disposition de la pièce

Référez-vous aux plans de chauffage pour l'arrangement exact des radiateurs dans la pièce (avec ou sans thermostat et/ou relais et/ou interrupteurs et accessoires).

Vérifiez les dimensions de section des radiateurs et la longueur de mur additionnelle nécessaire pour les sections vides ou de remplissage avant de commencer une installation de type mur-à-mur. Assurez-vous que tous les radiateurs et accessoires nécessaires sont à portée de main et que leur finition est correcte.

Hauteur de montage (consultez le Tableau d'écartements)

REMARQUE : Un revêtement de sol d'épaisseur jusqu'à 3/4", comme une moquette, des carreaux, du linoléum, etc. peut s'installer autour et en-dessous du radiateur sans effet néfaste sur sa performance. À la bonne hauteur, tracez une ligne au crayon sur le mur, horizontale et/ou parallèle avec l'appui de fenêtre. Les hauteurs minimales de montage au-dessus du sol doivent être celles-ci :

Installation d'un seul radiateur

REMARQUE : Pour faciliter l'installation, il est important que la séquence des opérations indiquées ci-après soit suivie dans l'ordre. Pour les radiateurs avec plus d'un module de chauffe, ces modules peuvent être câblés en parallèle, ou chacun peut recevoir son alimentation d'un circuit séparé. Consultez la plaque signalétique du radiateur pour la charge de courant de chaque module de chauffe.

1. Sortez l'appareil de son carton et jetez les cales extérieures et l'entourage en plastique.
2. Enlevez le couvercle avant en couchant le radiateur sur le dos et en insérant un couteau à mastiquer (ou un autre outil à lame fine et large d'au moins 1" [25 mm]) à environ 6" (152 mm) de l'extrémité du radiateur, et en le dissociant comme montré en Fig.2. Cela va déclencher l'ouverture du verrouillage. Recommencez si nécessaire en vous déplaçant le long du radiateur, jusqu'au désengagement complet du couvercle hors du carter arrière du radiateur.

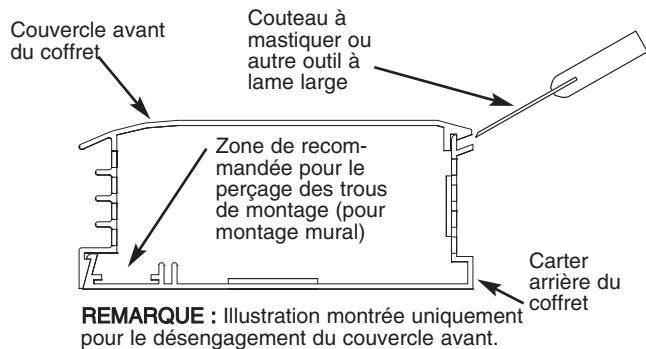


Fig. 2

- Ouvrez les ouvertures à enfoncer pour électricité appropriées de l'un des boîtiers de raccordement. Voyez la Figure 3 pour l'emplacement de ces ouvertures à enfoncer. Si le radiateur est monté sur socle, consultez les instructions d'installation du kit de socle.
- Percez les trous de montage de la taille voulue dans le carter du radiateur (Voyez la Figure 2 pour l'emplacement recommandé des trous de montage).
- Positionnez le carter du radiateur contre la cloison pour vérifier sa planéité. Ne forcez pas le radiateur contre une surface murale inégale. Si la cloison est irrégulière, utilisez des cales pour garder le carter de radiateur droit.

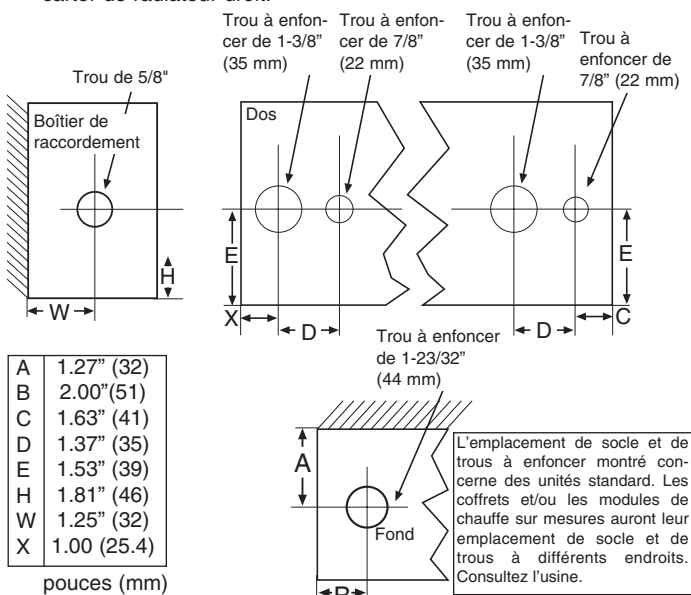


Fig. 3

- Amenez une branche de circuit d'alimentation secteur au boîtier de raccordement au travers du trou enfoncé choisi.
- Montez le radiateur sur la cloison en utilisant des vis, des boulons ou des ancrages (fournis par l'installateur) en fonction du type de structure murale.

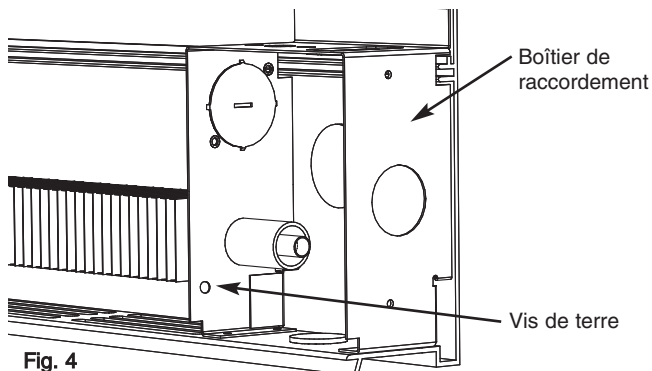


Fig. 4

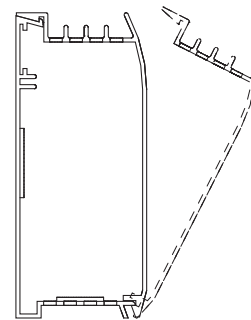


Fig. 5

- Serrez bien les vis de fixation, puis dévissez-les d'un demi-tour pour permettre au radiateur de se dilater et de se rétracter.
- Réalisez les raccordements électriques en suivant le schéma de câblage fixé au radiateur. Reliez le radiateur à la terre en utilisant la vis de terre fournie. Voir la Figure 4.
- Remettez en place le couvercle avant en mettant le bord avant inférieur du couvercle sur le bord avant inférieur du carter arrière, et en poussant le couvercle tout droit en arrière pour verrouiller le tout. Voir la Figure 5.

Installations de plusieurs unités de mur-à-mur

REMARQUE : Pour faciliter l'installation, il est important que la séquence des opérations indiquées ci-après soit suivie dans l'ordre.

- Répétez les étapes 1 et 2 de l'installation d'une unité unique.
 - Référez-vous au schéma de câblage pour l'entrée de l'alimentation électrique et ouvrez l'ouverture à défoncer appropriée (Figure 3) sur le radiateur sur lequel les raccordements électriques d'arrivée seront effectués. L'alimentation secteur ne peut être amenée qu'à l'extrémité d'un seul radiateur, les autres peuvent être connectés en parallèle en utilisant le chemin de câbles. Utilisez le Tableau B pour dimensionner le câblage installé sur le site dans le chemin de câble, ou utilisez le Tableau A pour déterminer la longueur maximale ou l'ensemble de radiateurs possible en utilisant le câblage installé en usine dans le chemin de câble de radiateur.
 - Si des sections de remplissage, des angles rentrants ou saillants, des kits de jonction ou des capuchons d'extrémité doivent être utilisés, consultez les instructions d'installation de ces accessoires. Si le radiateur est monté sur socle, consultez les instructions d'installation d'accessoires du convecteur.
- REMARQUE :** Si un radiateur comporte un interrupteur de coupure et/ou un thermostat, et doit recevoir une section de remplissage à une extrémité ou l'autre, cette section ne doit pas couvrir l'accès à ces commandes.

- Si l'ensemble des radiateurs comprend un angle rentrant ou saillant, montez d'abord cet angle sur la cloison (voyez les instructions d'installation dans l'emballage de cet angle) et montez les radiateurs ensuite.
- Percez les trous de montage de la dimension requise dans tous les carters de radiateurs (Voyez la Figure 2 pour l'emplacement recommandé des trous de montage).
- Positionnez le carter du radiateur contre la cloison pour vérifier sa planéité. Ne forcez pas le radiateur contre une surface murale inégale. Si la cloison est irrégulière, utilisez des cales pour garder le carter de radiateur droit.
- Amenez une branche de circuit d'alimentation secteur au boîtier de raccordement au travers du trou enfoncé choisi.
- Montez le radiateur sur la cloison en utilisant des vis, des boulons ou des ancrages (fournis par l'installateur) en fonction du type de structure murale. Des taquets d'alignement peuvent être insérés dans les carters arrière jointifs pour assurer leur alignement régulier. Voyez la Figure 6 pour les détails.
- En suivant le schéma de câblage fixé sur le radiateur, effectuez les raccordements électriques. Référez-vous à la Figure 8 pour le branchement en parallèle avec d'autres radiateurs. La mise à la terre des autres radiateurs se fait en branchant un cavalier (non fourni) entre les deux radiateurs adjacents.

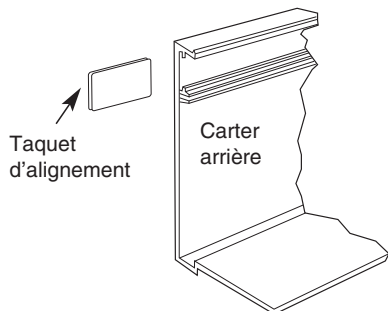


Fig. 6

10. Remettez en place les couvercles frontaux en suivant l'étape 10 de l'installation d'unité unique (Voir la Figure 5).

Sections vides

S'il y a des sections vides, installez-les de la même manière que les radiateurs.

INSTRUCTIONS D'UTILISATION

1. Une fois que les radiateurs sont complètement assemblés et installés, réglez le thermostat et les commandes de fonctionnement pour une absence de chauffe (NO HEAT) et mettez sous tension le(s) circuit(s) de radiateurs. Vérifiez que les radiateurs ne génèrent pas de chaleur.
2. Réglez le thermostat ou les commandes de fonctionnement pour causer une demande de chauffe. Laissez le(s) radiateur(s) fonctionner quelques minutes et vérifiez qu'ils génèrent bien de la chaleur.

Remarque : Au démarrage initial, les radiateurs peuvent dégager une odeur inhabituelle et éventuellement un peu de fumée venant de résidus à la production sur l'élément de chauffe. Laissez fonctionner les radiateurs environ 30 minutes pour dissiper tous ces résidus. La ventilation de la zone peut être souhaitable.

3. Pour régler le thermostat ou les commandes de fonctionnement afin de maintenir le niveau de confort voulu, laissez les radiateurs fonctionner jusqu'à ce que la température ambiante de la pièce atteigne le niveau visé. Le thermostat ou la commande de fonctionnement peuvent alors être ajustés de manière à maintenir cette température.

Remarque : Quand un thermostat intégré et/ou un interrupteur de coupure sont fournis, l'accès à ces commandes se fera par les ouvertures dans la grille à une extrémité du radiateur. Pour tourner l'axe du thermostat il faudra un petit tournevis à lame plate. L'interrupteur de coupure est de type à bascule qui peut être actionné avec le même tournevis ou un autre outil au travers de l'ouverture.

4. Si un thermostat intégré est fourni, une fois que la pièce a atteint le niveau de température de confort voulu, tournez l'axe du thermostat en sens antihoraire jusqu'à l'émission d'un déclic. Cela devrait permettre au thermostat d'activer/désactiver le radiateur afin de maintenir cette température. Une rotation en sens horaire permettra au radiateur d'être activé PLUS LONGTEMPS et de maintenir une température ambiante dans la pièce PLUS ÉLEVÉE. Et bien sûr une rotation en sens inverse va permettre au radiateur de rester sur une demande de MOINS de chauffe et cela maintiendra une température ambiante PLUS BASSE. Si un thermostat ou d'autres types de commande sont fournis à distance, référez-vous aux instructions fournies avec ces commandes pour un fonctionnement correct.

REMARQUE IMPORTANTE : Ces radiateurs sont fournis avec un limiteur de sécurité intégré (protecteur thermique – voyez la Figure 8) pour couper automatiquement le radiateur s'il est obstrué ou entre en surchauffe suite à une condition anormale. En fonctionnement normal, les radiateurs ne doivent pas subir de coupure par ce dispositif de sécurité. Si cela se produisait, vérifiez l'installation du radiateur pour vous assurer que des écartements adéquats sont respectés et que la libre circulation de l'air autour du radiateur n'est pas entravée. Si le radiateur continue d'avoir des coupures par le dispositif de sécurité, cessez de l'utiliser avant qu'il ait été inspecté et/ou réparé par un électricien qualifié.

INSTRUCTIONS D'ENTRETIEN

Votre radiateur vous fournira des années de bon service et de confort avec juste un minimum de soins. L'utilisateur peut effectuer lui-même un nettoyage périodique de l'extérieur du coffret, mais toutes les autres interventions de nettoyage de l'intérieur et de service doivent être faites par une personne de service qualifiée.

Remarque : Pour un fonctionnement efficace et sûr, le flux d'air ne doit pas être obstrué dans le radiateur et aux alentours. Comme l'air se déplace au travers du radiateur par convection, de la poussière et de la peluche peuvent s'accumuler dans le radiateur et autour de l'élément de chauffe qui a besoin d'être nettoyé périodiquement. Il est recommandé que votre radiateur soit nettoyé et inspecté pour des dommages éventuels au moins une fois par an (ou plus souvent selon le besoin).

⚠ WARNING ⚠

1. Une blessure sérieuse voire mortelle peut résulter d'une commotion électrique. Assurez-vous que le(s) circuit(s) du secteur d'alimentation électrique arrivant au radiateur est/sont bien débranché(s) en amont à l'interrupteur général ou au panneau de service avant d'intervenir sur ce radiateur. Laissez le radiateur refroidir avant de le nettoyer pour éviter de possibles brûlures.

Remarque : Il peut entrer plus d'une source d'alimentation électrique dans le radiateur. Assurez-vous que toute l'alimentation secteur du radiateur est coupée avant une intervention de nettoyage ou de service.

2. Faites attention en nettoyant les ailettes de l'élément de chauffe pour éviter de les endommager. Retenez aussi que les ailettes sont tranchantes et peuvent vous couper, évitez donc tout contact.

1. L'extérieur du radiateur peut être nettoyé avec un chiffon humide. Mais n'utilisez pas de nettoyants puissants, d'agents de polissage ou de cirage, car ils pourraient endommager la surface ou laisser un résidu qui la décolorerait.
2. Le nettoyage de l'intérieur du radiateur nécessite d'enlever son couvercle avant. Pour enlever le couvercle avant, désengagez d'abord le verrouillage par emboîtement du haut de l'arrière. Utilisez un outil de forme en L, comme une clé Allen, pour soulever sous les lames entre la rangée arrière de fentes (Voyez la Figure 7). Commencez à n'importe quelle extrémité et levez le couvercle avant jusqu'à ce que la tension dessus le sépare du coffret. Continuez de vous déplacer sur la longueur du radiateur jusqu'à ce que le couvercle soit retiré.
3. Une fois le couvercle avant enlevé, un aspirateur ou de l'air comprimé peuvent être utilisés pour éliminer la poussière et la peluche de l'intérieur du radiateur, et autour de l'élément de chauffe. Les ailettes sont tranchantes et peuvent causer des coupures, évitez donc le contact avec les mains. Faites attention de ne pas abîmer les ailettes en aluminium.

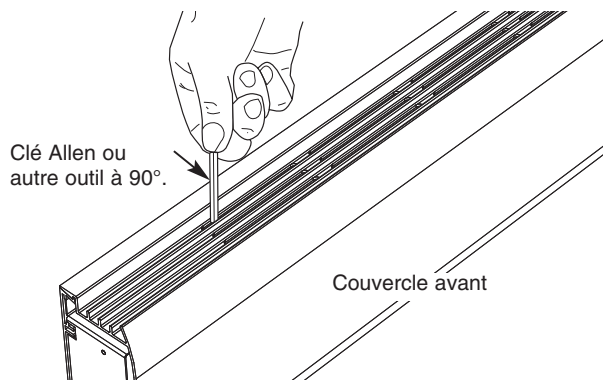


Fig. 7

4. Dans le cadre d'un entretien normal, contrôlez le reste du radiateur pour de possibles dommages ou problèmes d'entretien, en profitant du fait que le couvercle est ôté, et effectuez les réparations nécessaires.
5. Remettez en place le couvercle avant comme montré en figure 5, en vous assurant qu'il est bien verrouillé en place sur toute la longueur du radiateur. Rétablissez l'alimentation du radiateur et vérifiez son bon

Câblage type pour plusieurs radiateurs (sans commandes)

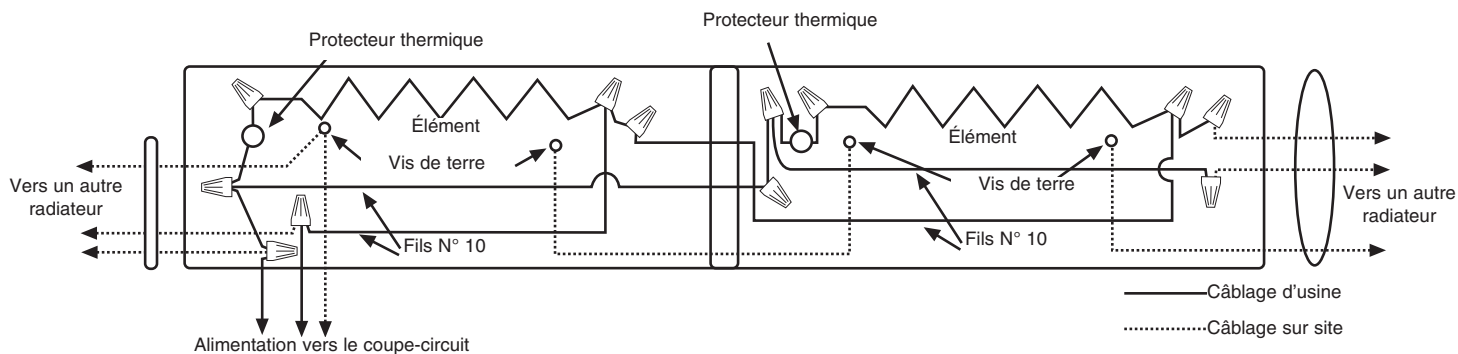


Fig. 8

GARANTIE LIMITÉE

Tous les produits fabriqués par Marley Engineered Products sont garantis contre des défauts dus à la main d'œuvre et aux matériaux pendant un an à partir de la date d'installation, saufs les éléments de chauffe qui sont garantis de la même façon pendant cinq ans. Cette garantie ne s'applique pas pour des dommages résultant d'accident, de mésusage ou d'altération ; ni si la tension secteur envoyée fait 5 % ou plus au-dessus de la tension nominale de la plaque signalétique ; ni sur l'équipement est incorrectement installé ou câble, en violation avec les instructions d'installation. Toutes les demandes d'exercice de la garantie devront être accompagnées de la preuve de date d'installation.

Le client doit être responsable de tous les coûts occasionnés pour le démontage ou la réinstallation des produits, incluant les coûts de main-d'œuvre, et les coûts d'expédition pour renvoyer les produits au centre de service de Marley Engineered Products. Dans le cadre des limitations de cette garantie, les unités ne fonctionnant pas doivent être renvoyées au centre de service agréé Marley le plus proche, ou directe au centre de service de Marley Engineered Products, où ils seront réparés ou remplacés, à notre choix, sans frais pour vous avec le port de retour payé par Marley. Il est convenu que cette réparation ou ce remplacement sera le seul remède à attendre de Marley Engineered Products.

LES GARANTIES QUI PRÉCÈDENT TIENNENT LIEU DE TOUTES LES AUTRES GARANTIES, EXPLICITES OU IMPLICITES, ET TOUTES LES GARANTIES IMPLICITES DE VALEUR MARCHANDE ET D'ADÉQUATION POUR UNE FINALITÉ SPÉCIFIQUE QUI EXCÉDERAIENT LES DISPOSITIONS DE GARANTIE PRÉCÉDEMMENT ÉNONCÉES SONT ICI REJETÉES ET EXCLUES DE CET ACCORD. MARLEY ENGINEERED PRODUCTS NE SERA PAS TENU POUR RESPONSABLE DES DOMMAGES CONSÉCUTIFS SURVENANT EN RELATION AVEC LE PRODUIT, QU'ILS SOIENT À BASE DE NÉGLIGENCE, TORT, RESPONSABILITÉ PURE OU CONTRACTUELLE.

Certaines provinces ne permettent pas l'exclusion ou la limitation des dommages consécutifs ou annexes, de ce fait l'exclusion ou la limitation qui précède peut ne pas s'appliquer à votre cas. Cette garantie vous donne des droits légaux spécifiques, qui varient d'une province à l'autre.

Pour obtenir l'adresse de votre centre de service agréé le plus proche, contactez Marley Engineered Products à Bennettsville, SC, USA, au 1-800-642-4328. Toute marchandise retournée à l'usine doit être accompagnée d'une autorisation de renvoi et d'une étiquette d'identification pour le service, ces deux documents étant disponibles auprès de Marley Engineered Products. En demandant une autorisation de retour, fournissez tous les numéros de catalogue indiqués sur les produits.

COMMENT OBTENIR DU SERVICE ET DES PIÈCES DANS LE CADRE DE LA GARANTIE ET DES INFORMATIONS GÉNÉRALES

1. Service et pièces sous garantie **1-800-642-4328**
2. Pièces détachées à acheter **1-800-654-3545**
3. Informations générales sur les produits **www.marleymep.com**

Remarque : Pour obtenir le service sous garantie vous devez toujours avoir préparé :

1. Référence de modèle du produit
2. Date de fabrication
3. Numéro ou description de pièce



470 Beauty Spot Rd. East
Bennettsville, SC 29512 USA