

Installation Instructions

NOTE: The accessory described in this instruction manual is intended for use with Marley Engineered Products PRH Series Plenum Heaters.

⚠ WARNING ⚠

This instruction sheet provides information for the proper installation and use of the accessory described. It is to be used in conjunction with the instruction manual that came with the PRH series unit. Read, understand and follow the instruction and warnings provided in each manual before operating the unit. Failure to do so could result in improper and / or unsafe operation of the unit that could lead to a fire, personal injury or permanent damage to the unit.

TO REDUCE THE RISK OF FIRE OR ELECTRIC SHOCK: Always disconnect power to the unit at the main service panel before installing these accessories or performing any maintenance on the unit.

Save these instructions along with the heater instructions for future reference.

SAVE THESE INSTRUCTIONS

⚠ WARNING ⚠

TO REDUCE THE POTENTIAL FOR FIRE OR ELECTRIC SHOCK, READ AND FOLLOW INSTRUCTIONS AND WARNINGS PROVIDED IN THE HEATER INSTRUCTION MANUAL.

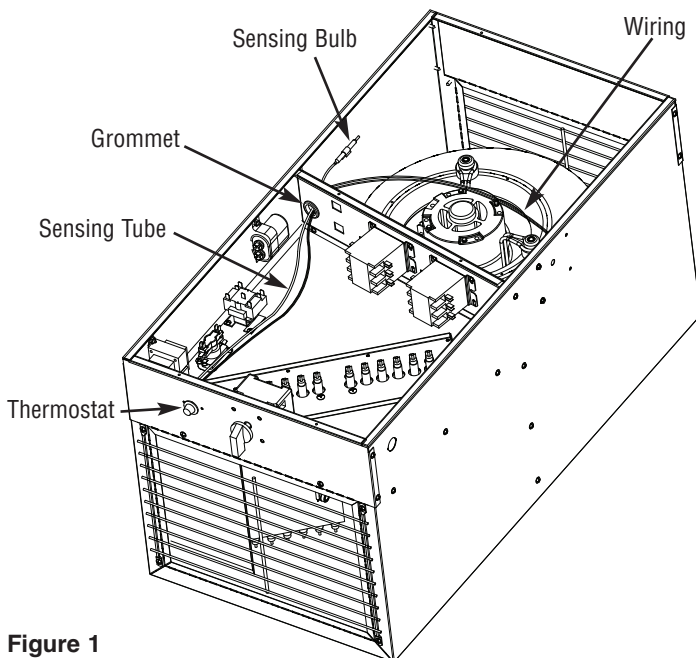


Figure 1

PRH SERIES PLENUM HEATER THERMOSTAT ACCESSORY PRHT1

INSTALLATION

PRHT1 Integral Thermostat

Refer to heater installation instructions and wiring diagrams that are included with heater

1. After disconnecting power to the heater, open plenum heater access cover by removing the 6 screws.
2. Carefully remove the 5/16" knock-out and the 2 screws on either side of it from the face of the heater. (See figure 1)
3. Position the thermostat so that the thermostat wiring exits towards the transformer side of the plenum heater (away from incoming power connection) and mount with the included #6-32x 1/4"L mounting screws from the kit. (See figure 1)
4. Attach thermostat knob to thermostat shaft. Note that knob should be keyed to fit stem.
5. Cut a 1/4" long slit in the rubber grommet. (See figure 1)
6. Route thermostat sensing tube and wiring through rubber grommet as shown in Figure 1 using care to keep sensor tube away from all uninsulated connections in control box area. Also use care to not create sharp bends or kinks in the sensing tube.
7. Using included 'J' style cable clamp, mount sensing bulb to inside wall of the blower side of the plenum housing. (See figure 1)
8. Connect thermostat lead wires to terminal block connectors inside fan compartment. Connect thermostat leads to terminals marked W and R (refer to wiring diagrams in installation instructions for heater).
9. Using supplied wire ties, bundle thermostat wiring with existing fan wiring.
10. Replace heater access cover and attach with sheet metal screws.
11. Operate heater and adjust thermostat to verify proper installation.

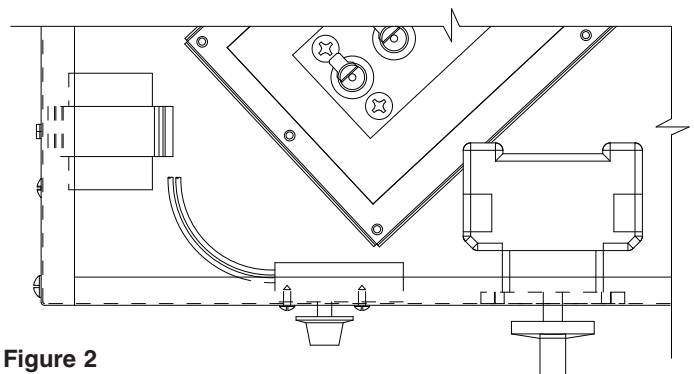


Figure 2